




Part Number:
KXA00426

Models:
Himalayan
(452cc only)

 **WARNING:** Royal Enfield genuine accessories are designed to fit only the specific Royal Enfield motorcycle(s) that are specified above. They should not be fitted to any other type of motorcycle. Pay particular attention to the warnings and cautions contained in this instruction, failure to do so may result in an incorrect installation of the accessory which could result in an unsafe riding condition and possible accident. If in any doubt always seek help from your authorised Royal Enfield dealer.

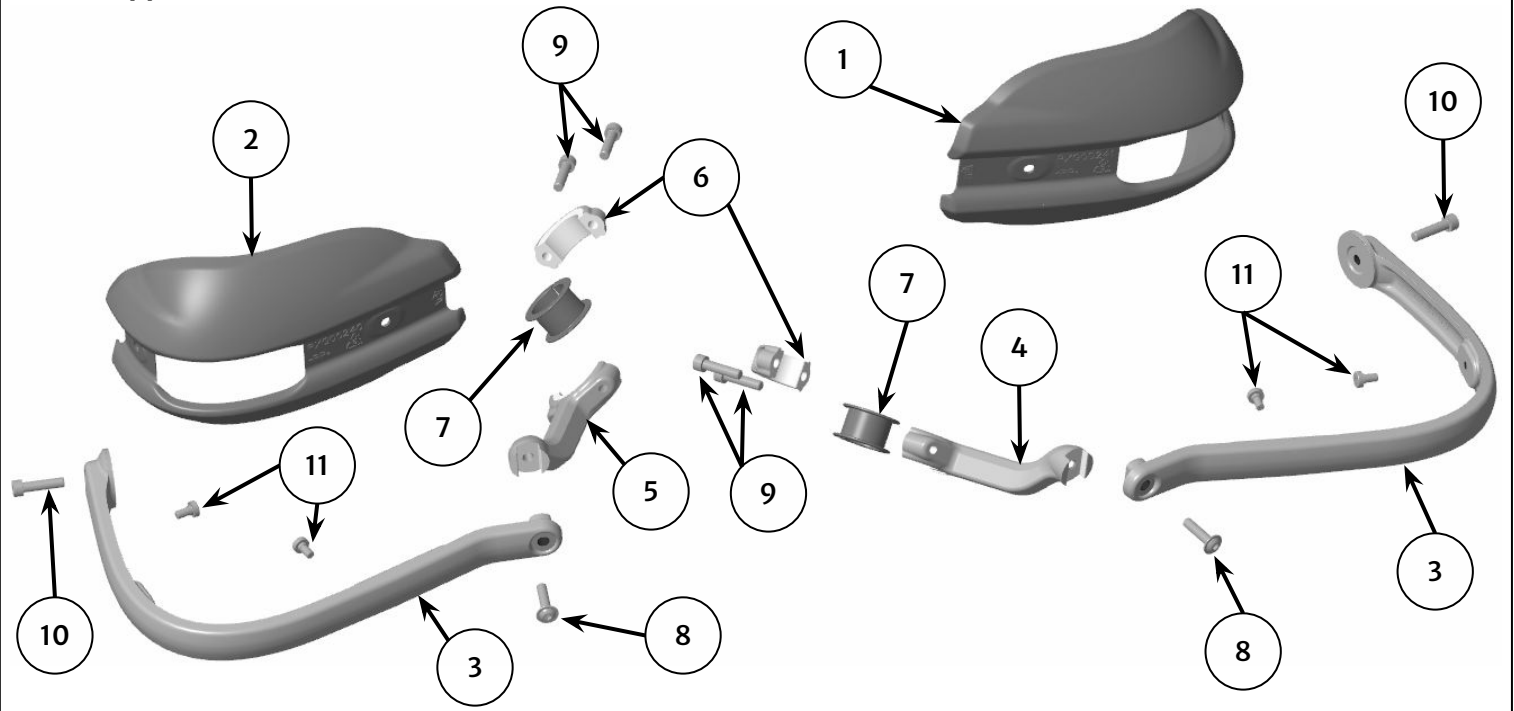
 **WARNING:** Before starting any accessory kit installation ensure the motorcycle is supported in a stable condition. Failure to support the motorcycle correctly could lead to motorcycle damage or personal injury.

 **WARNING:** All fixings must be tightened to the torque values specified in this instruction. Failure to tighten fixings to the correct torque could result in an unsafe riding condition and possible accident

 **CAUTION:** Care should be taken when fitting any accessory kit. Incorrect handling of kit components or the use of incorrect tools could lead to component or motorcycle damage.

NOTE: The content of this instruction is subject to change at any time without notice or liability. Royal Enfield reserves the right to revise the information presented at any time.

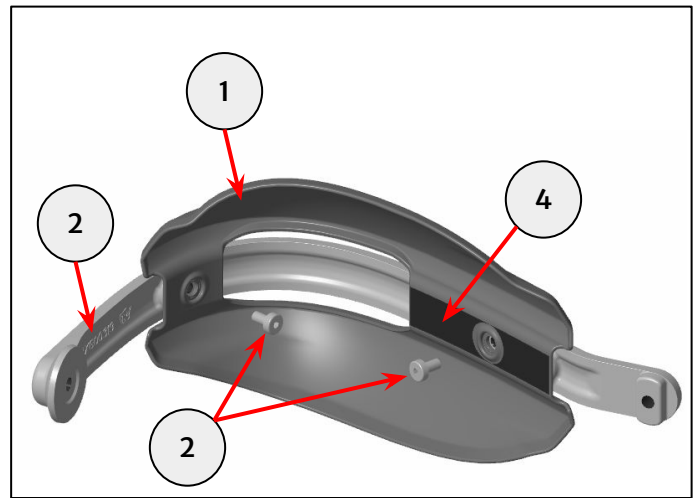
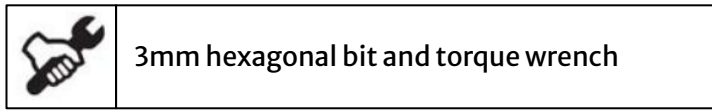
Parts Supplied: KXA00426



Item	Description	Qty
1	Left hand guard	1
2	Right hand guard	1
3	Brace bar	2
4	Left hand bar mount	1
5	Right hand bar mount	1
6	Clamp	2
7	Rubber mount	2
8	Fixing, M6 x 25mm (button head)	2
9	Fixing, M6 x 25mm (cap head)	4
10	Fixing, M6 x 25mm (thread-locked cap head)	2
11	Fixing, M5 x 8mm	4

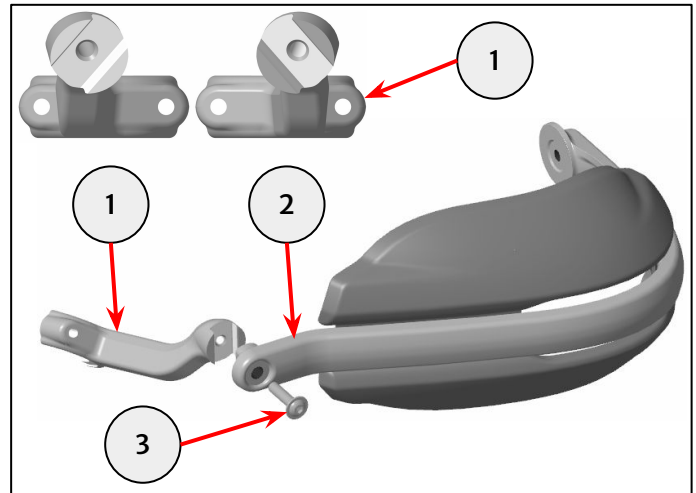
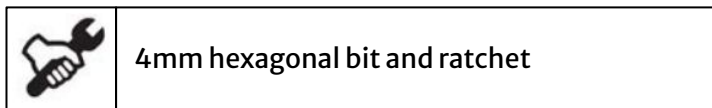
1 Assemble the left hand guard (1) to a brace bar (2) with two M5 x 8mm fixings (3) as shown. The left hand guard can be distinguished by the location of the part markings (4).

Tighten fixings to **5Nm**.

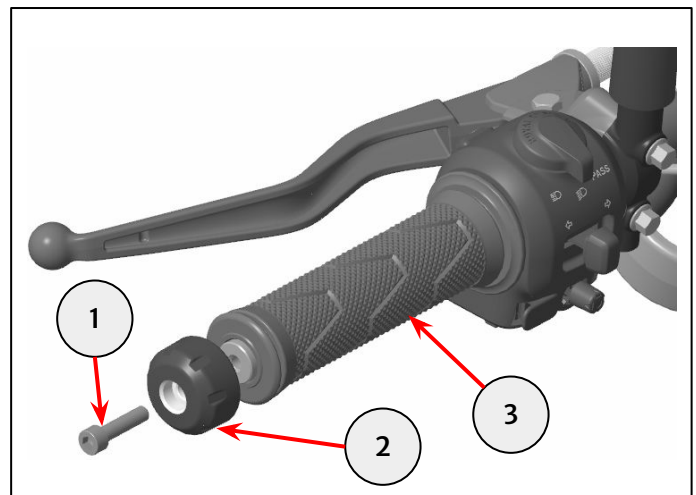


2 Assemble the left hand mount (1) to the brace bar (2) with an M5 x 25mm button head fixing (3).

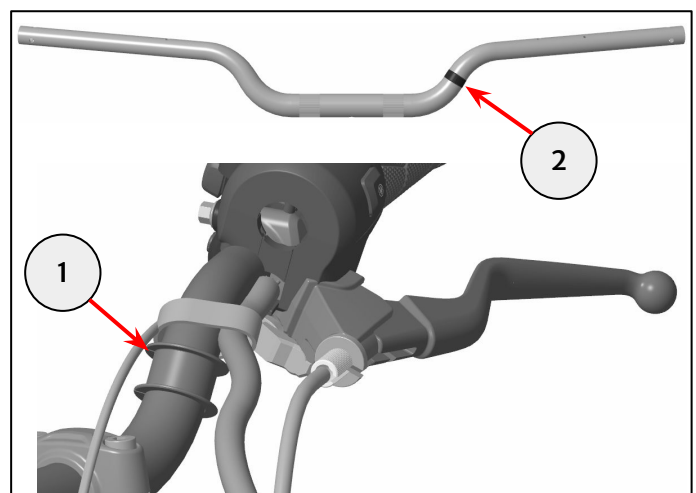
Do not fully tighten the fixing at this stage.



3 Remove the fixing (1) securing the left hand bar end weight (2) from the handlebar (3). Retain the fixing and bar end weight for reuse if the motorcycle is to be returned to its original condition.

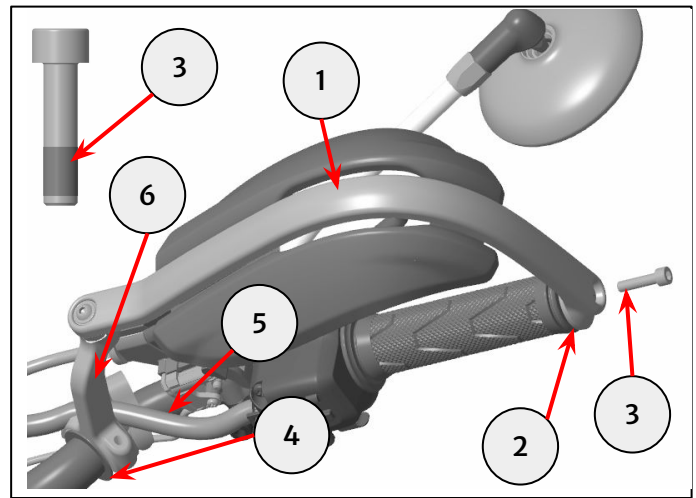
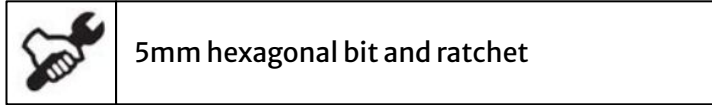


4 Collect a rubber sleeve (1) from the kit and locate over the angled section of the handlebar (2).



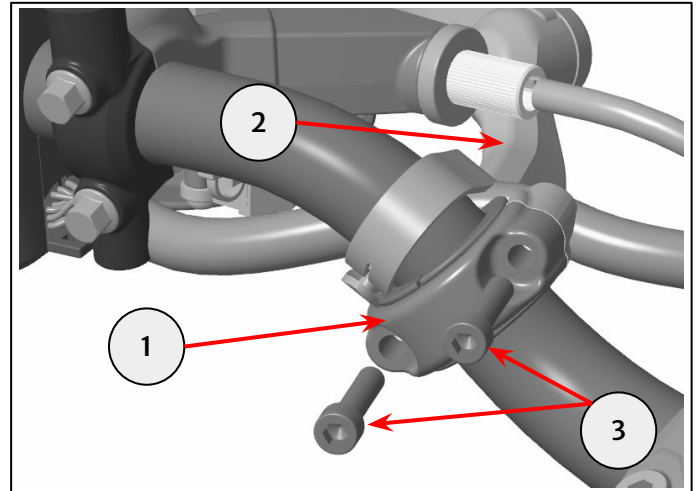
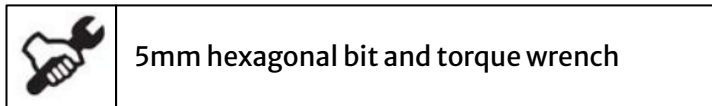
5 Assemble the handguard (1) through the handlebar end (2) with an M5 x 25mm thread-locked cap head fixing (3) and locate over the rubber sleeve (4). Do not fully tighten the fixing at this stage.

Note: Take extra care to ensure the cable (5) is located above the bar mount (6).



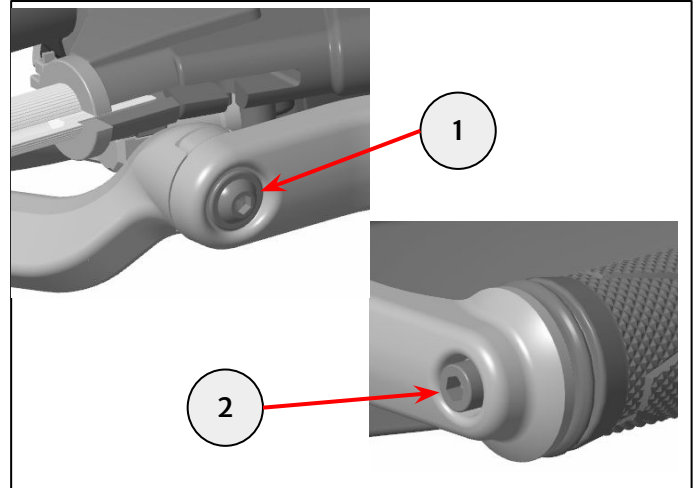
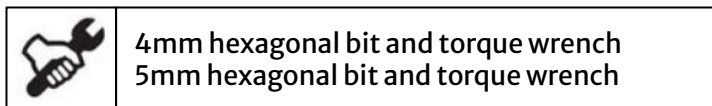
6 Collect a clamp (1) from the kit and assemble to the left hand mount (2) with two M5 x 25mm cap head fixings (3).

Tighten fixings to **9Nm**.



7 Tighten the front mount fixing (1) to **9Nm**.

Tighten the bar end mount fixing (2) to **9Nm**.



8 Repeat steps 1 - 7 for the right hand side.



WARNING: After fitting any genuine Royal Enfield accessory always ride the motorcycle with caution and allow time to become familiar with any change in the motorcycle handling characteristics. Failure to become familiar with any change in the motorcycle handling characteristics may cause the motorcycle to become unstable and result in an accident.