

Part Number:
KXA00405
KXA00410

Models:
Himalayan
(452cc only)

WARNING: Royal Enfield genuine accessories are designed to fit only the specific Royal Enfield motorcycle(s) that are specified above. They should not be fitted to any other type of motorcycle. Pay particular attention to the warnings and cautions contained in this instruction, failure to do so may result in an incorrect installation of the accessory which could result in an unsafe riding condition and possible accident. If in any doubt always seek help from your authorised Royal Enfield dealer.

WARNING: Before starting any accessory kit installation ensure the motorcycle is supported in a stable condition. Failure to support the motorcycle correctly could lead to motorcycle damage or personal injury.

WARNING: All fixings must be tightened to the torque values specified in this instruction. Failure to tighten fixings to the correct torque could result in an unsafe riding condition and possible accident

CAUTION: Care should be taken when fitting any accessory kit. Incorrect handling of kit components or the use of incorrect tools could lead to component or motorcycle damage.

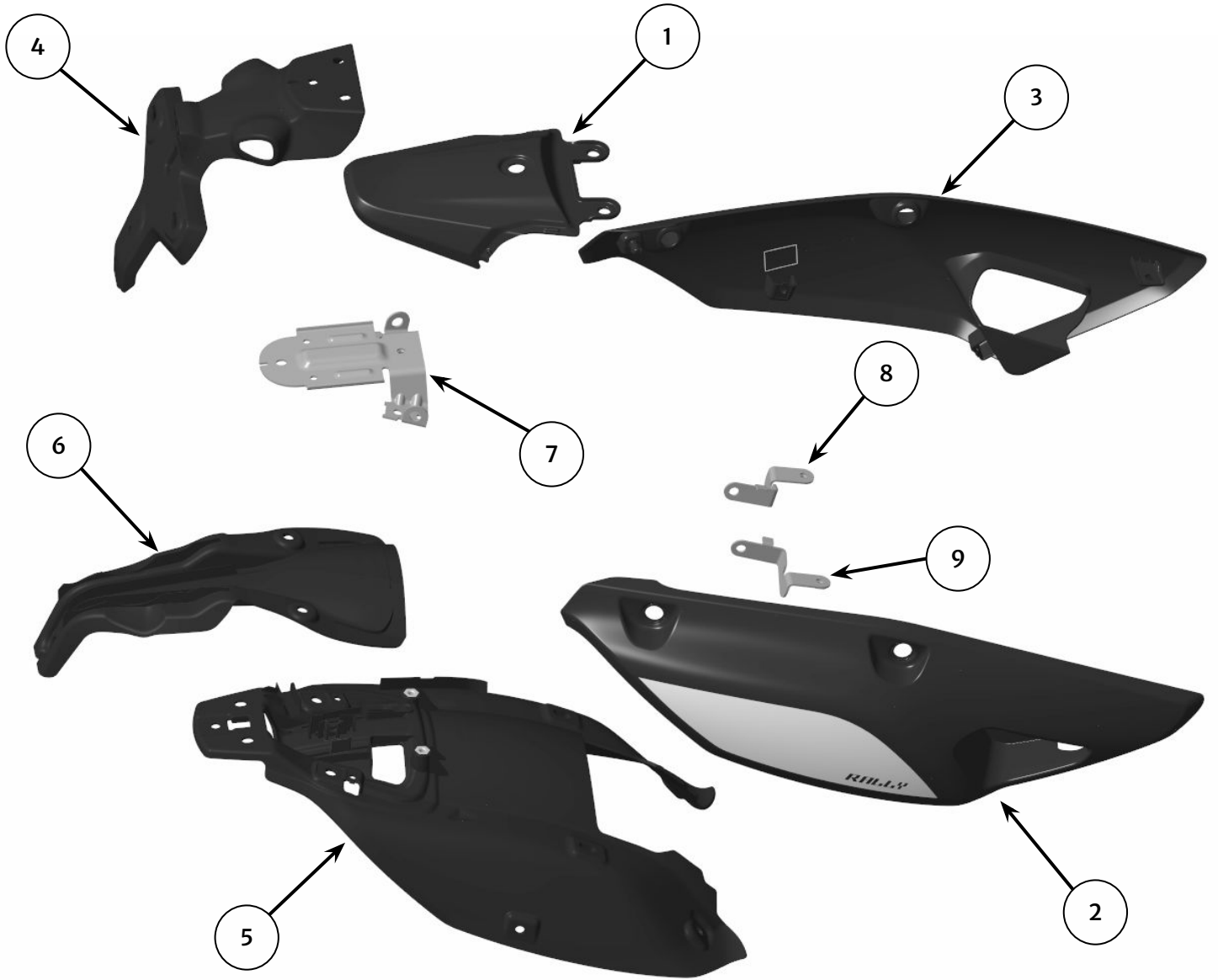
NOTE: The content of this instruction is subject to change at any time without notice or liability. Royal Enfield reserves the right to revise the information presented at any time.

COMPATIBILITY NOTES:

- The Rally Mudguard Kit (KXA00410) is not compatible with the standard seat. The Rally Seat (KXA00405) must be fitted in conjunction with the Rally Mudguard Kit.
- The Rally Mudguard Kit (KXA00410) requires fitment of either the Rally Seat Strap (within KXA00405) or the original luggage rack.
- Luggage rack fitment is required in India.

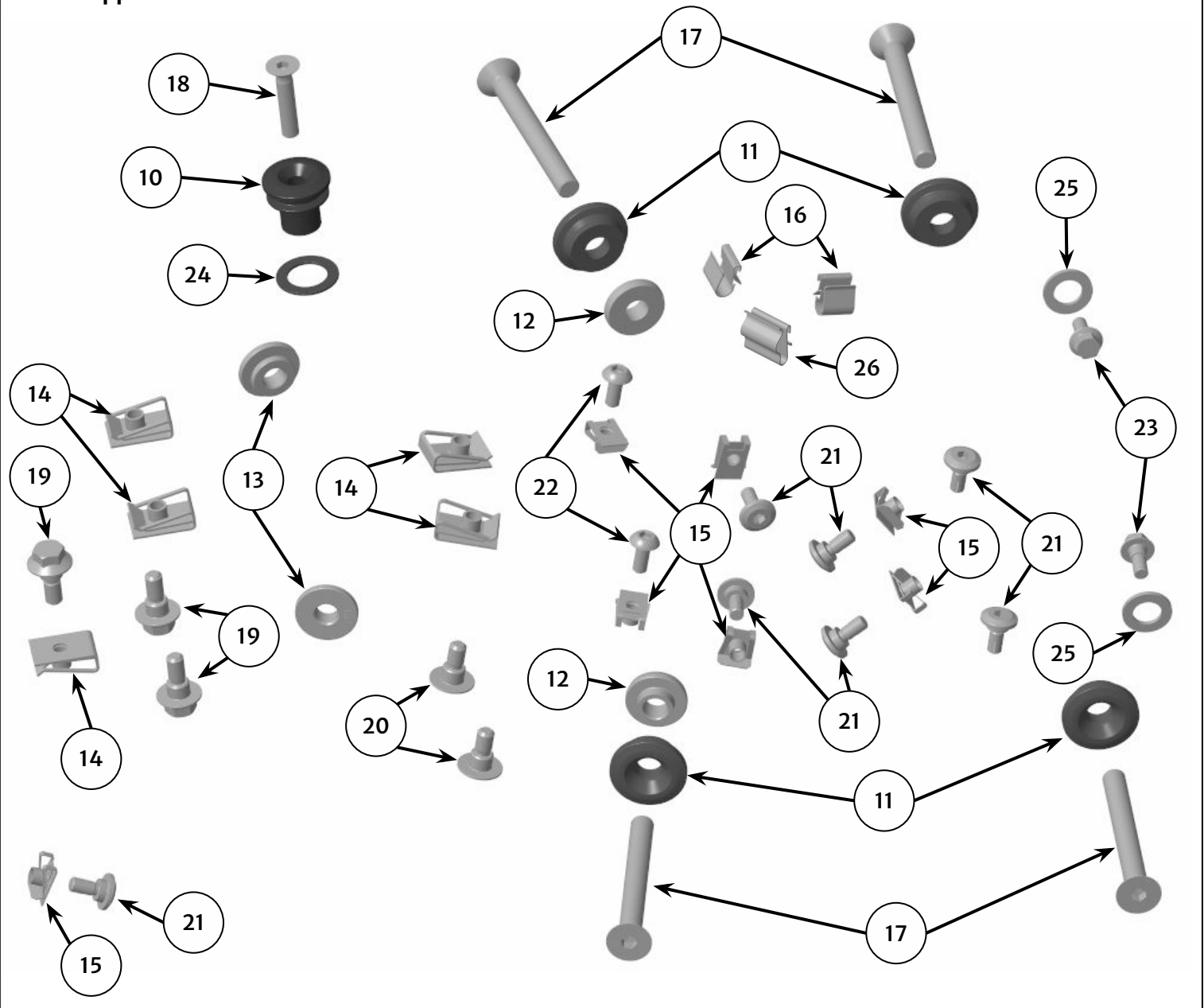


Parts Supplied: KXA00410



Item	Description	Qty
1	Top Panel	1
2	Right Side Panel	1
3	Left Side Panel	1
4	Number Plate Carrier Panel	1
5	Number Plate Hanger	1
6	Inspection Panel	1
7	Rear Bracket	1
8	Front Left Bracket	1
9	Front Right Bracket	1

Parts Supplied: KXA00410 - Continued



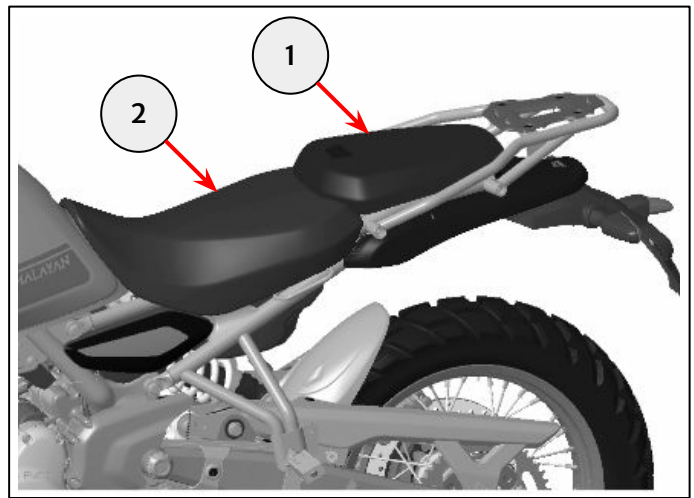
Item	Description	Qty
10	Centre panel bobbin	1
11	Side panel bobbin	4
12	Spacer bobbin	2
13	Rubber grommet	2
14	Clip nut, M6	5
15	Clip nut, M5	7
16	Cable holder clip	2
17	Fixing, M8 x 70mm	4
18	Fixing, M6 x 30mm	1
19	Fixing, M6 x 16mm (hex head form)	3
20	Fixing, M6 x 15mm (button head form)	2
21	Fixing, M5 x 12mm (shouldered, button head form)	7
22	Fixing, M5 x 12mm	2
23	Fixing, M5 x 12mm (shouldered, hex head form)	2
24	Rubber washer	1
25	Washer	2
26	Cable holder clip, small	1

Parts Supplied: KXA00405

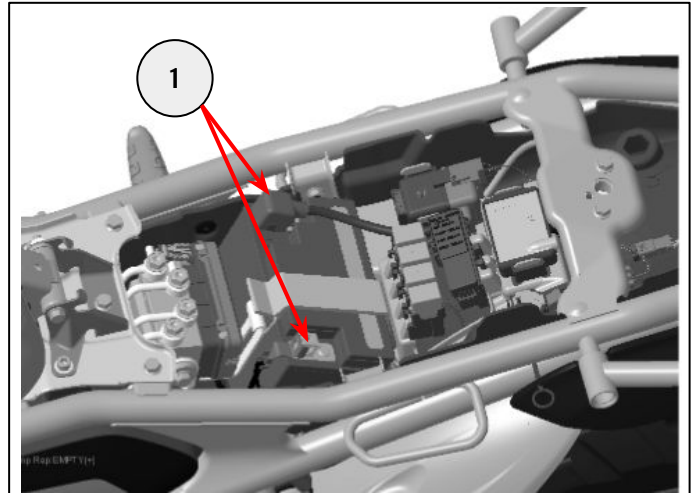


Item	Description	Qty
1	Rally Seat	1
2	Rally Seat Strap	1

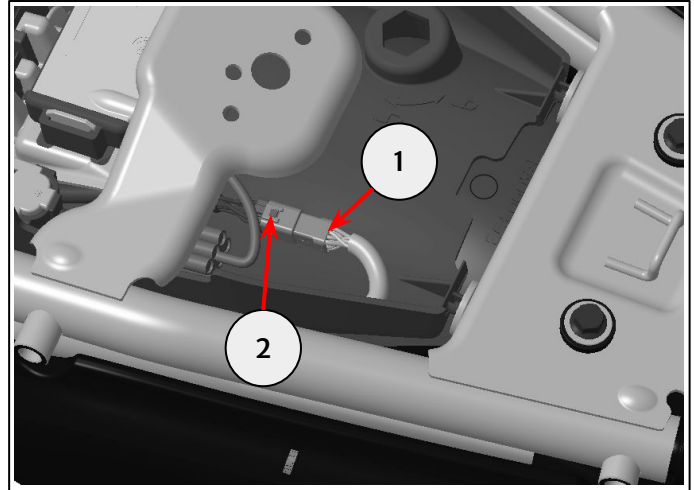
1 Place bike on the centre stand and remove the pillion (1) and rider (2) seats as described in the Owner's Manual.



2 Disconnect and remove the motorcycle battery (1) as described in the Owner's Manual.

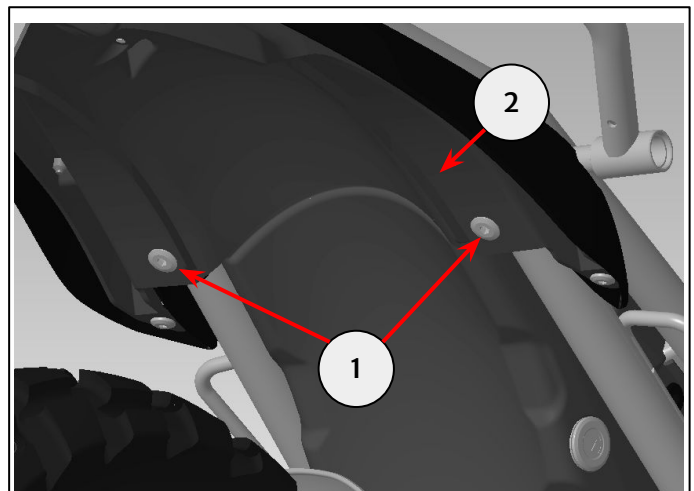


3 Disconnect the rear sub-harness (1) from the main harness (2).



4 Remove the two fixings (1) from the underside of the rear mudguard (2).

Retain the fixings for reuse.

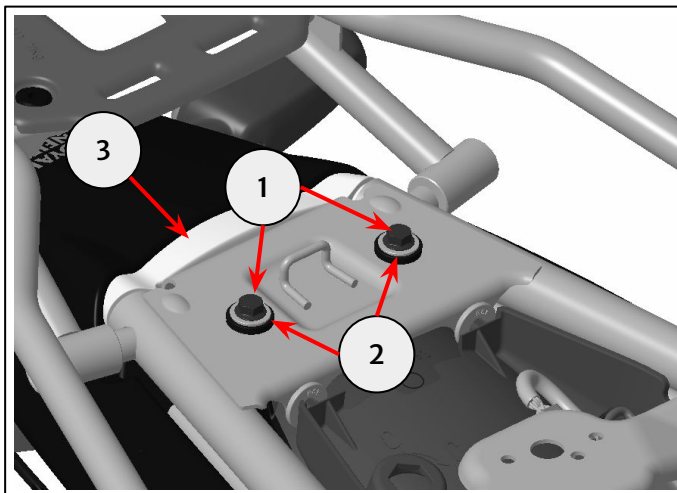
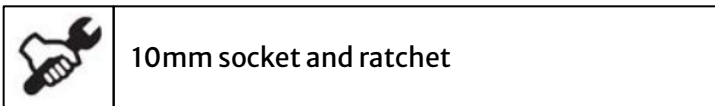


5mm hexagonal bit and ratchet

5 Remove the two fixings (1) and top hats (2) and retain for reuse. The rear bodywork assembly can now be removed and must be kept for reuse.

Note:

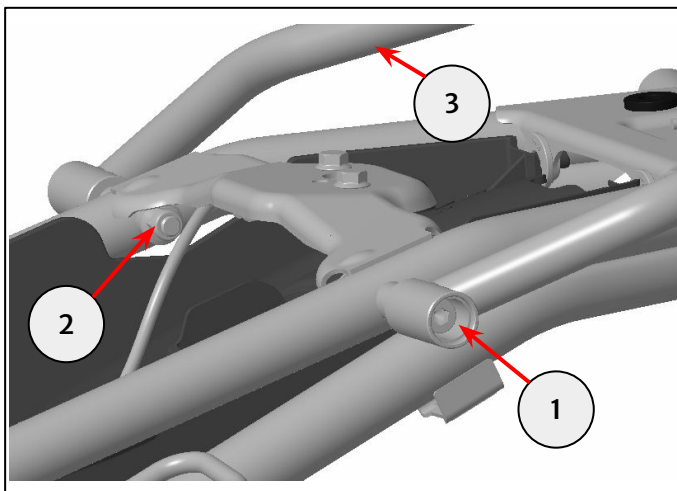
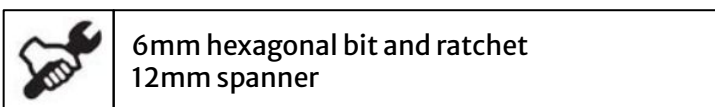
- 1) Ensure the rear sub-harness connector fits through the slot in battery tray and does not become trapped.
- 2) Ensure that rubber insert (3) is removed with the rear bodywork.



6 Remove the fixings (1), washers and M8 nuts (2) securing the luggage rack (3).

If refitting the luggage rack, retain all for reuse. See step 53 for further guidance.

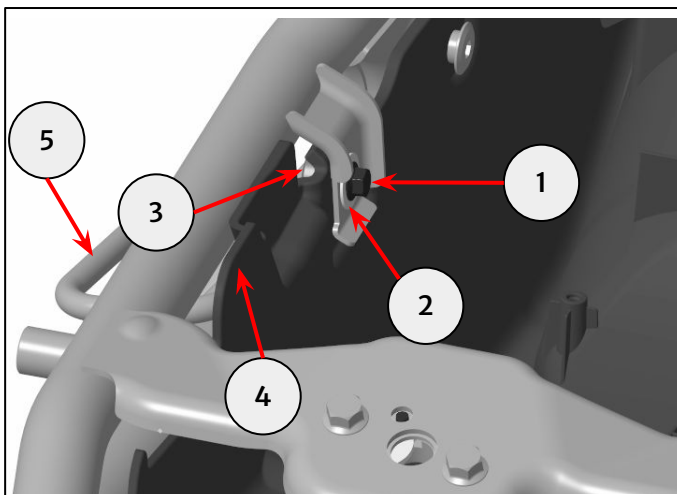
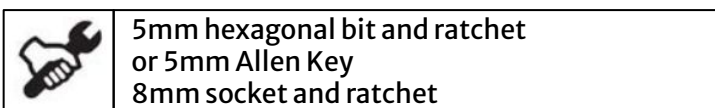
If fitting the Rally Seat Strap, retain the M8 nuts for reuse. All other items to be retained for reuse if the motorcycle is to be returned to its original condition.



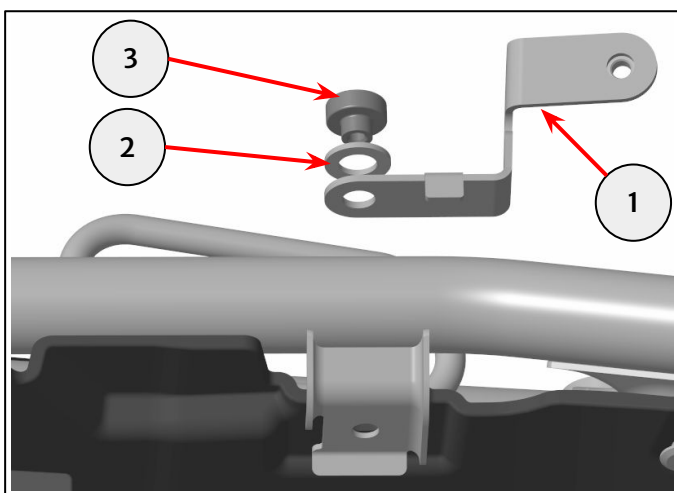
7 Remove the fixing (1), washer (2) and nut (3) on left hand side of battery tray (4) by the centre stand handle (5).

Retain the nut (3) for reuse.

Retain the fixing and washer if the motorcycle is to be returned to its original condition.




8 Take the front left hand bracket (1) and a washer (2) from the kit. Align the M5 nut removed in step 7 (3) and washer to the bracket.

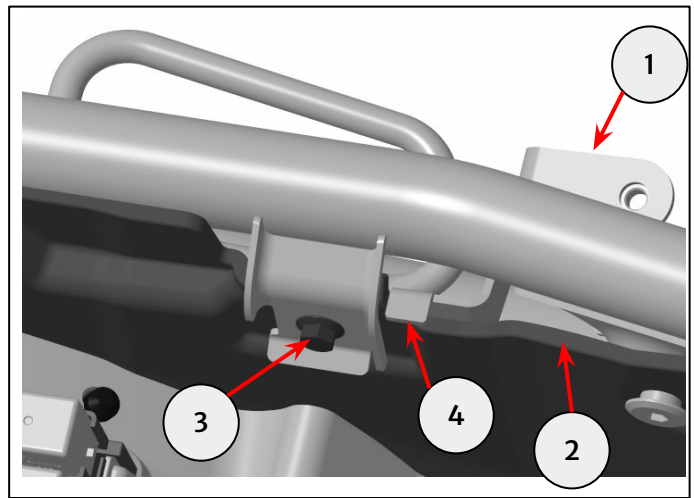


9 Assemble the front left bracket (1) to the outside of the battery tray (2) with a M5 x 12mm hex head shouldered fixing (3), from the kit.

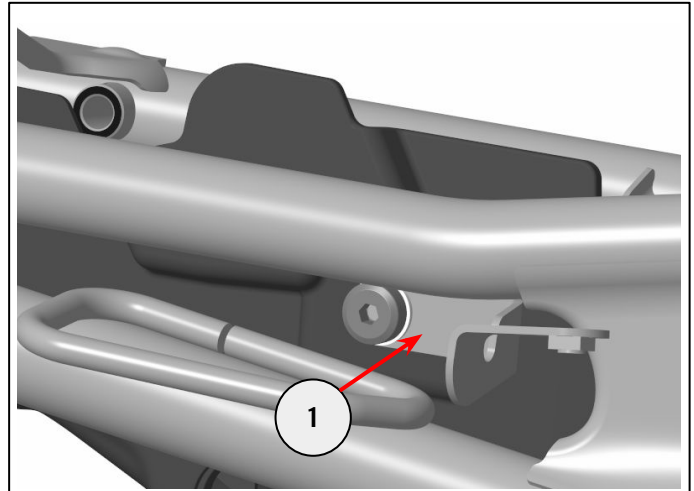
Tighten the fixing to **5Nm**.

Note: Ensure that bracket tab (4) sits on top of the battery tray.

	5mm hexagonal bit and ratchet or 5mm Allen Key 8mm socket and torque wrench
--	--




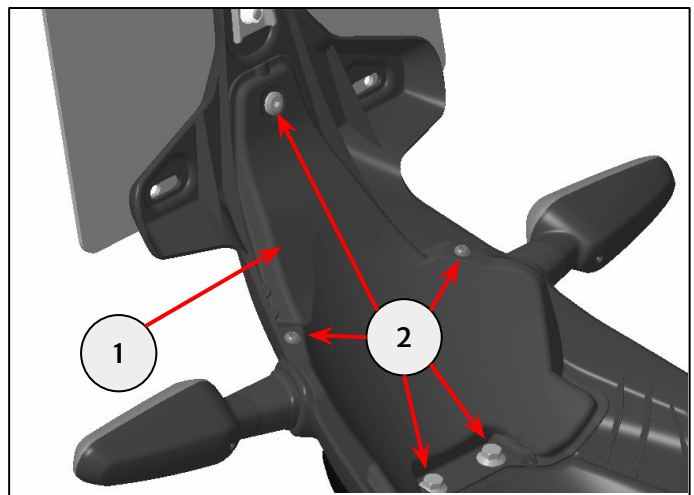
10 Repeat steps 7-9 for fitment of the front right bracket (1) to the right hand side.



11 On a protective surface, place the original rear bodywork removed in step 5 upside down and remove the inspection panel (1).


Retain the panel and fixings (2) if the motorcycle is to be returned to its original condition.

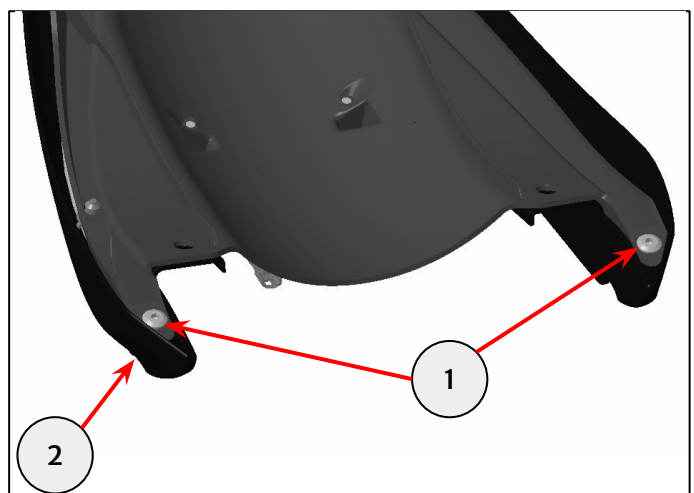
	4mm hexagonal bit and ratchet 10mm socket and ratchet T20 Torx bit and ratchet
--	--



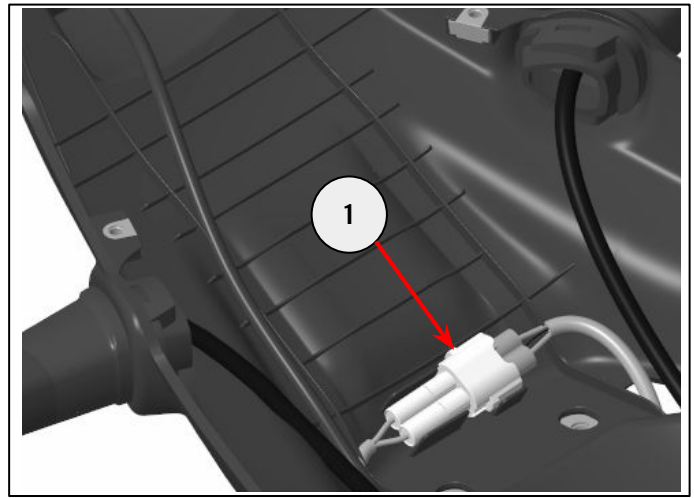
12 Remove the front fixings (1) to detach the rear mudguard (2).

Retain the panel and fixings (1) if the motorcycle is to be returned to its original condition.

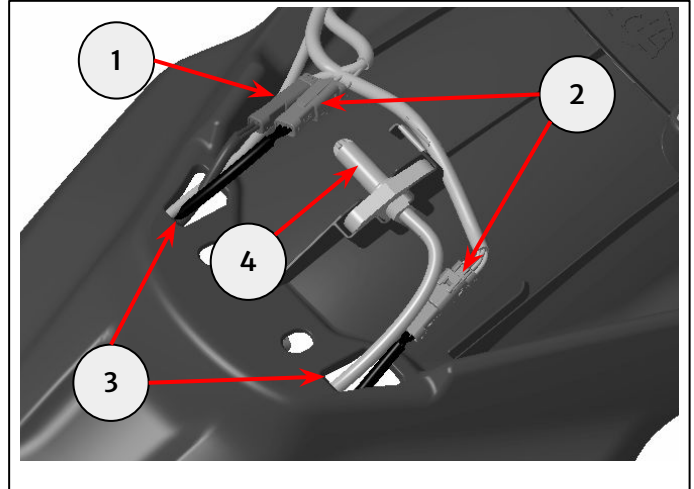
	4mm hexagonal bit and ratchet
--	-------------------------------



13 Detach and disconnect the air temperature sensor (1). Flip over the panel.

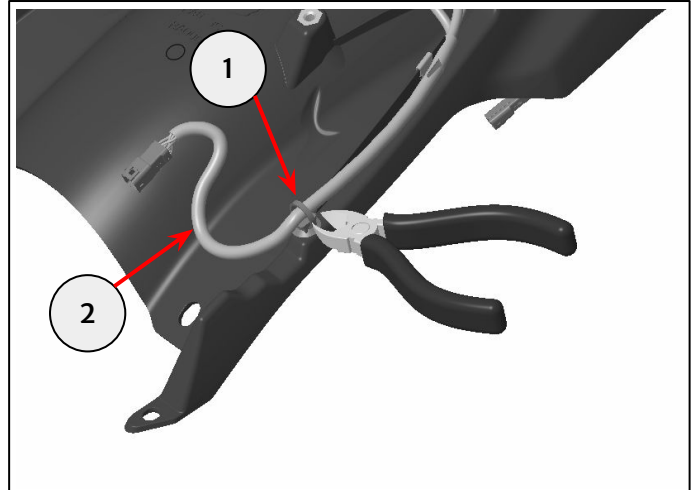


14 Disconnect the connectors for the rear number plate light (1) and indicators (2) and push them through their relevant slots in the panel (3). Remove the air temperature sensor (4) and retain for reuse.



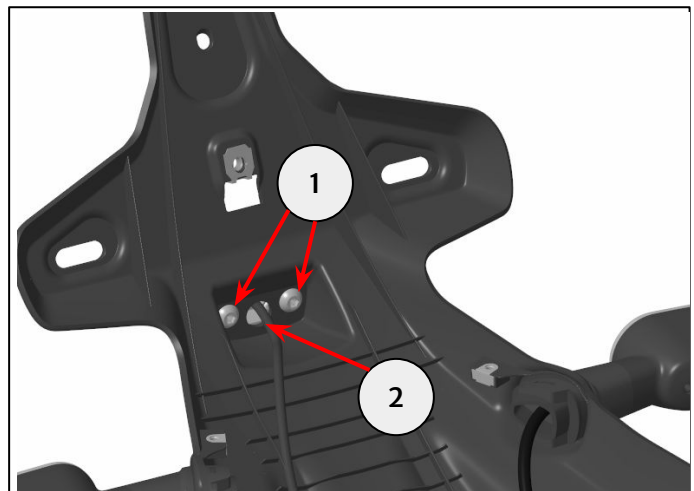
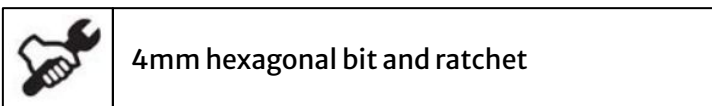
15 Carefully snip the cable clip (1) securing the rear sub-harness (2). Remove the rear sub-harness and retain for reuse.

If returning the motorcycle to the original condition, a replacement cable clip will need to be purchased from a genuine Royal Enfield Spares distributor.



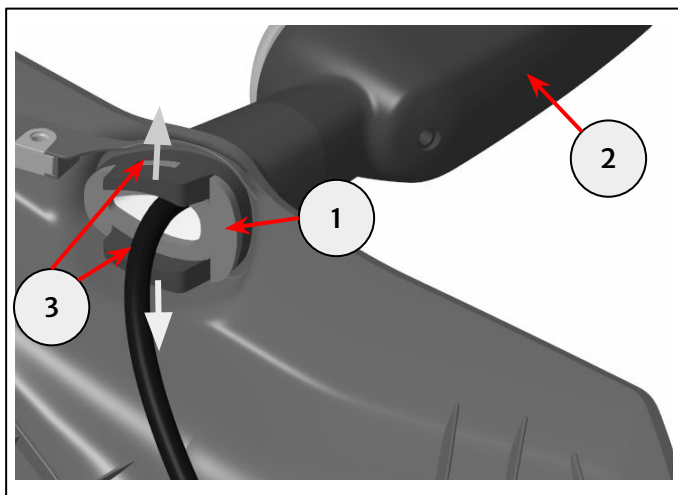
16 Flip the panel over. Remove the rear number plate light fixings (1) and remove the rear number plate light passing the connector through the hole in the panel (2).

Retain all parts for reuse.



17 Remove the end cap (1) from the left hand rear indicator (2) by carefully lifting the rubber over the top and bottom tabs (3).

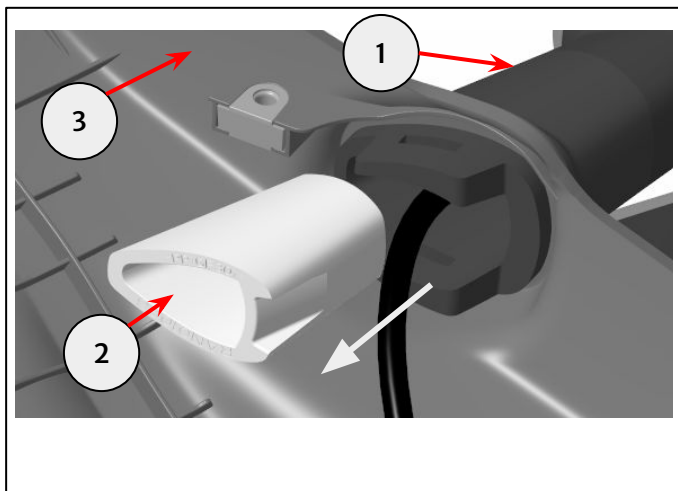
Note: Do not attempt to detach the indicator at this point.



18 To allow the indicator (1) to be removed, remove the sleeve (2) from inside the indicator.

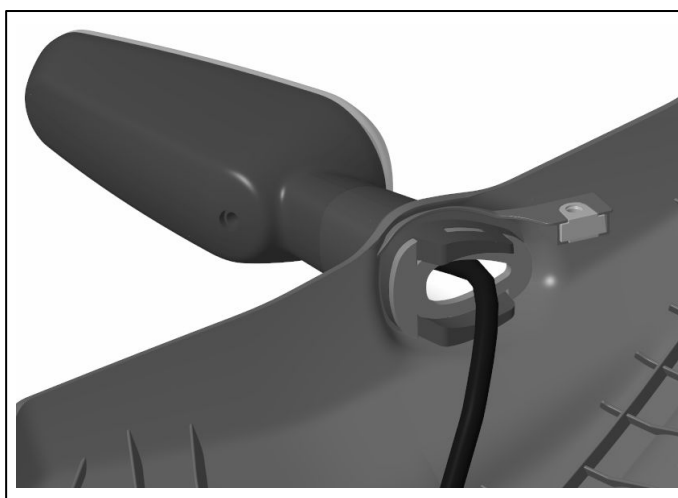
Detach the indicator from the panel (3) and retain all parts for reuse.

Note: Ensure that the wiring and connector pass through the hole in the panel.



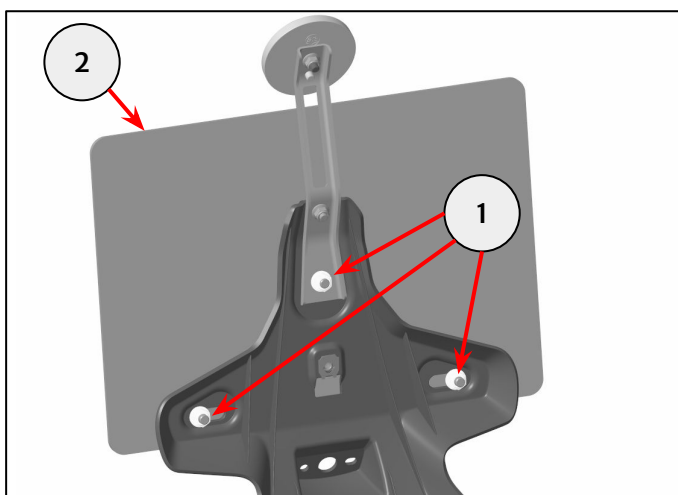
Long nose pliers

19 Repeat steps 17 and 18 for the right hand rear indicator.



20 Remove the number plate fixings and nuts (1) and remove the number plate (2). Retain for reuse.

Note: For the US and Japan markets only – also remove the additional number plate bracket and retain for reuse.



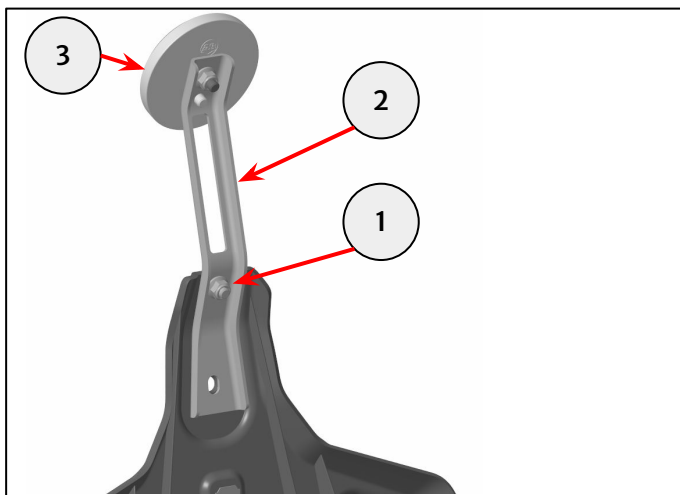
4mm hexagonal bit and ratchet
10mm spanner

21 Remove the fixing and nut (1) to remove the rear reflector bracket (2) and retain for reuse.

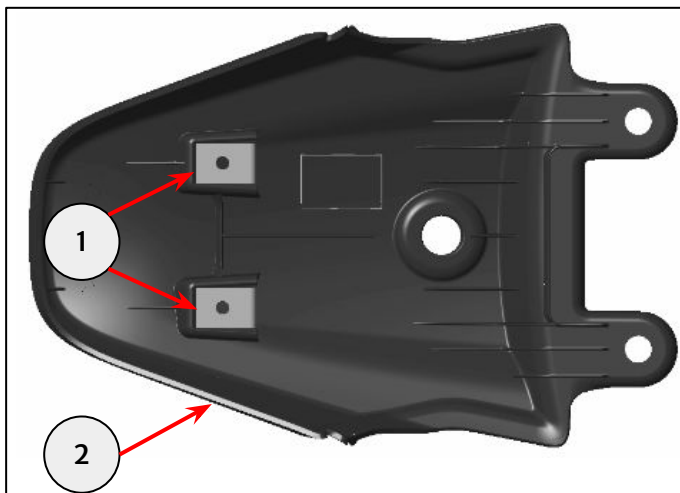
For the US market only - remove the nut (1) and rear reflector (3) and retain for reuse.



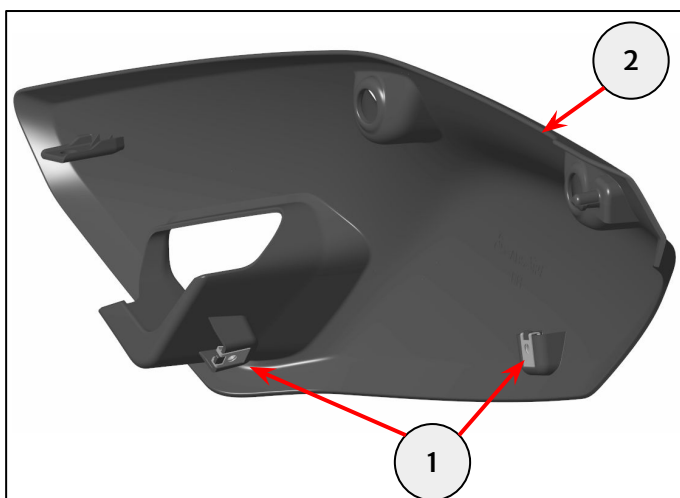
8mm socket and ratchet
Phillips screwdriver



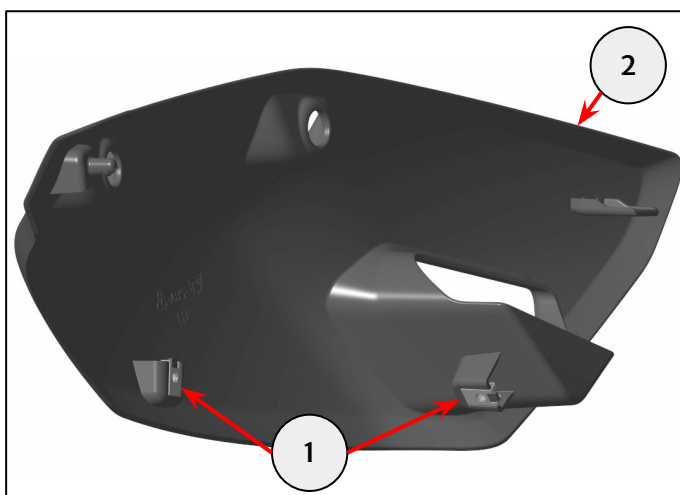
22 Fit two M6 clip nuts (1) from the kit to the top panel (2), as shown.



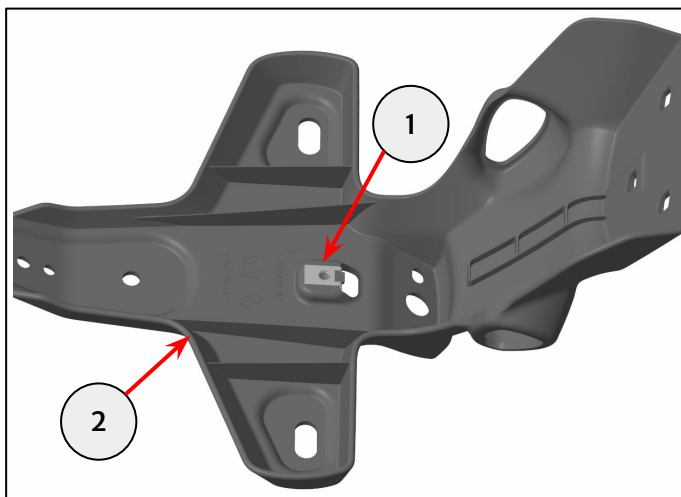
23 Fit two M5 clip nuts (1) from the kit to the inside of the right side panel (2), as shown.



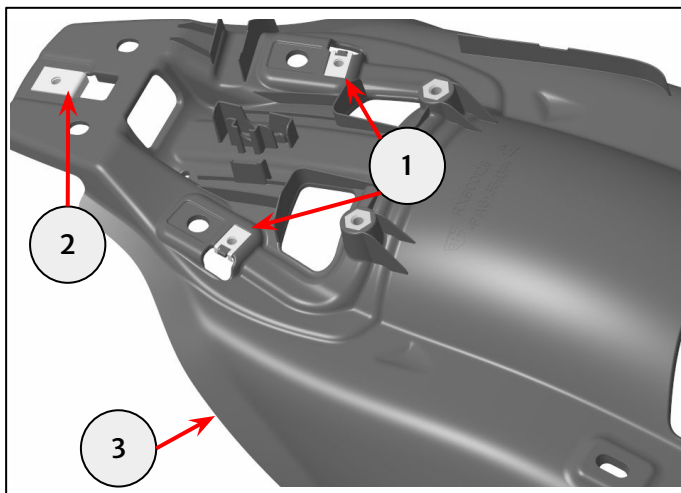
24 Fit two M5 clip nuts (1) from the kit to the inside of the left side panel (2), as shown.



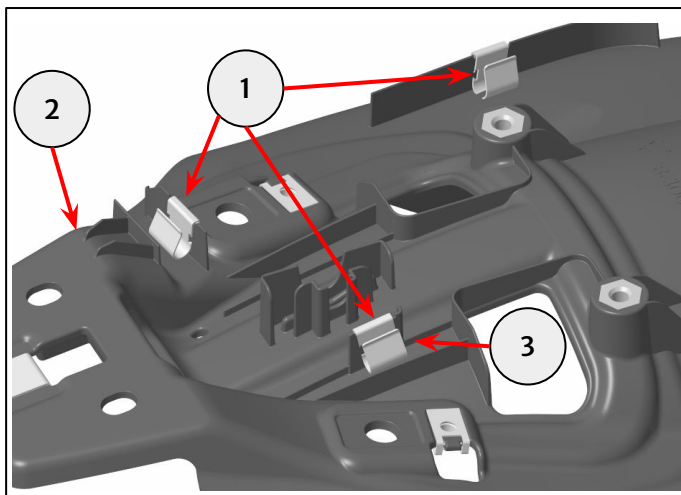
25 Fit a M5 clip nut (1) from the kit to the number plate carrier panel (2), as shown.



26 Fit two M5 (1) and a M6 clip nut (2) from the kit to the number plate hanger (3).

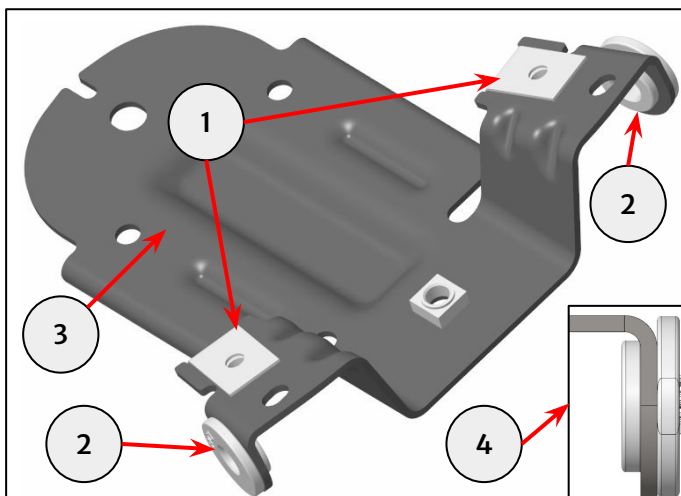


27 Fit three cable holder clips (1) to the number plate hanger (2), as shown, using the slots in the ribs. A large or small cable holder clip can be used in the following location (3).

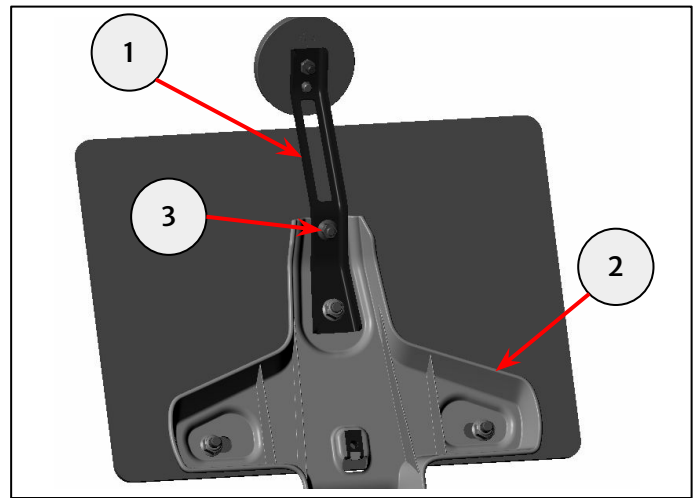


28 Fit two M6 clip nuts (1) and two grommets (2) from the kit to the rear bracket (3).

Note: The larger diameter of the grommet should be on the outside of the bracket, as shown (4).

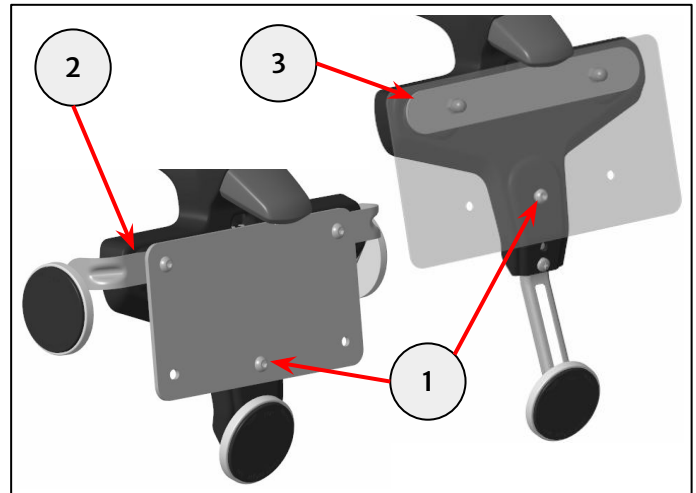


29 Refit the rear reflector bracket (1) or for US market only refit the rear reflector to the number plate carrier panel (2) using the M5 fixings (3) removed in step 21 and tighten to 5Nm.



4mm hexagonal bit and torque wrench
Phillips head bit and torque wrench
8mm and 10mm socket and ratchet

30 Refit the number plate using the fixings removed in step 20 as described in the Owner's Manual. Tighten the M6 reflector bracket fixing (1) to 10Nm.

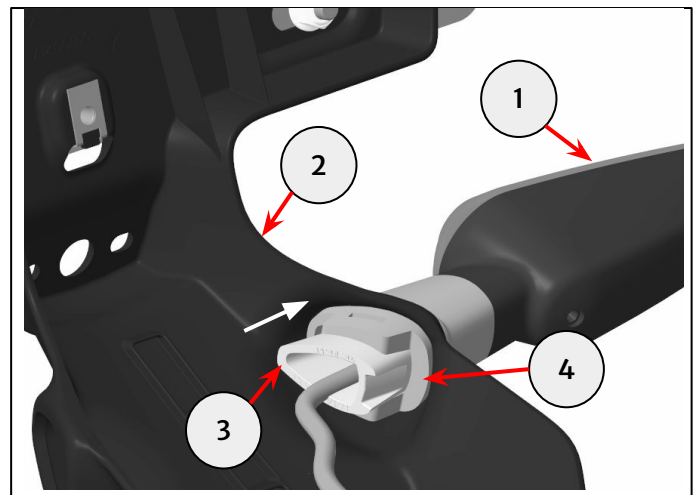


For the US (2) and Japan (3) markets only - also fit the additional bracket as removed in step 20. Tighten the M6 fixings to 10Nm.



4mm hexagonal bit and torque wrench
10mm socket and ratchet
10mm socket and torque wrench

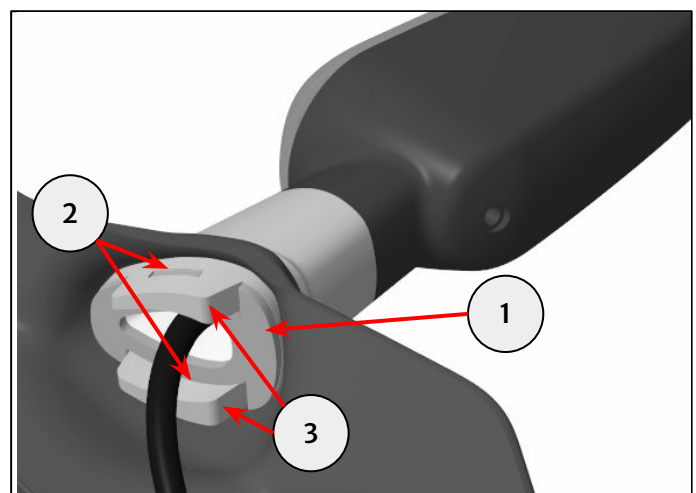
31 Fit the right hand indicator (1) to the number plate carrier panel (2). Feed the wire, connector and indicator through the hole, until the entire lip is fully through.



Reinsert the previously removed indicator sleeve (3) into the indicator stem. Fit the sleeve narrow end first, and pointed end towards the rear of the motorcycle, as shown.

Note: Once fully inserted, the end face of the sleeve should align with the end surface of the indicator stem (4).

32 Secure with the indicator end cap removed in step 17 (1). Locate the end cap tabs (2) into the corresponding slots in the indicator rubber (3).



Note: Ensure the indicators are securely fitted.

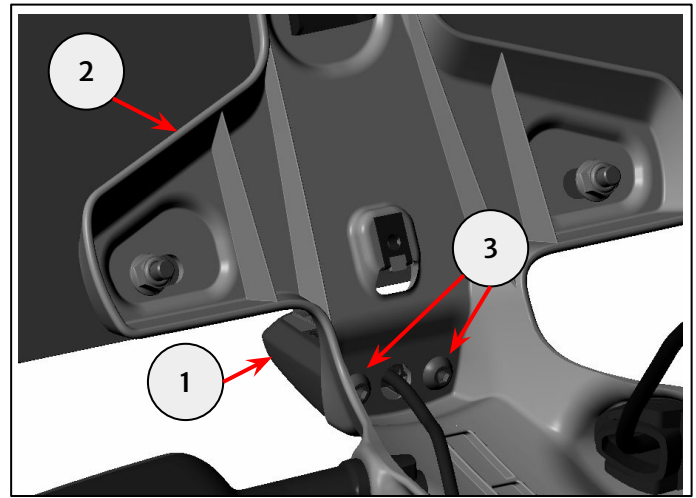
Repeat from step 31 for the left hand rear indicator.

33 Fit the rear number plate light (1) to number plate carrier panel (2) by passing the wiring and connector through the hole in the panel. Secure with the M5 fixings removed in step 16 (3).

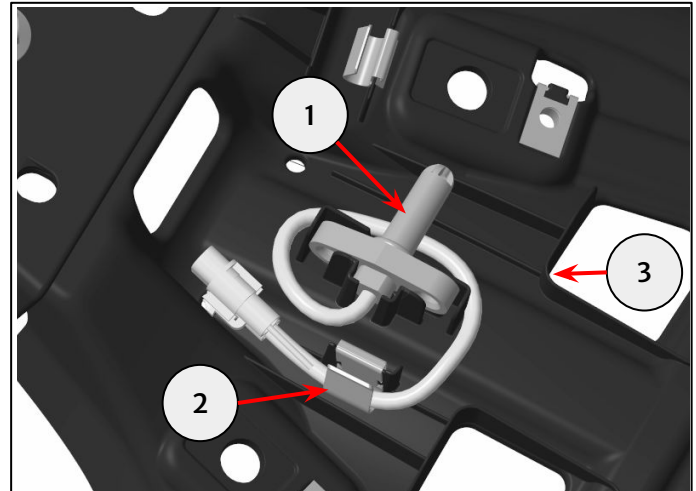
Tighten to **3Nm**.



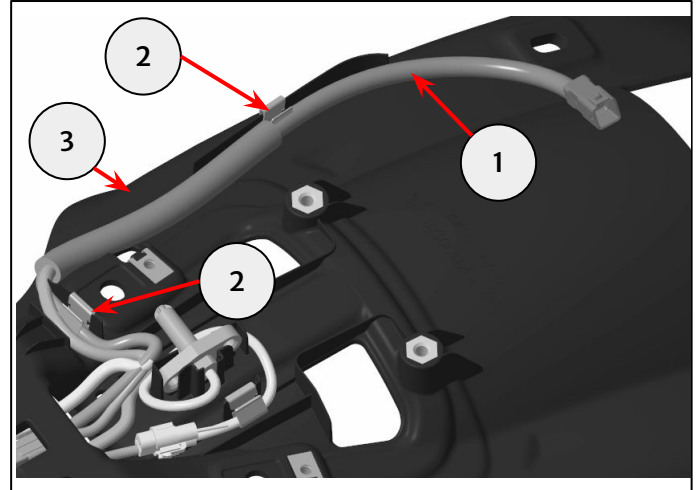
4mm hexagonal bit and torque wrench



34 Fit the air temperature sensor (1) and route the harness into the cable holder clip (2) on the number plate hanger (3), as shown.

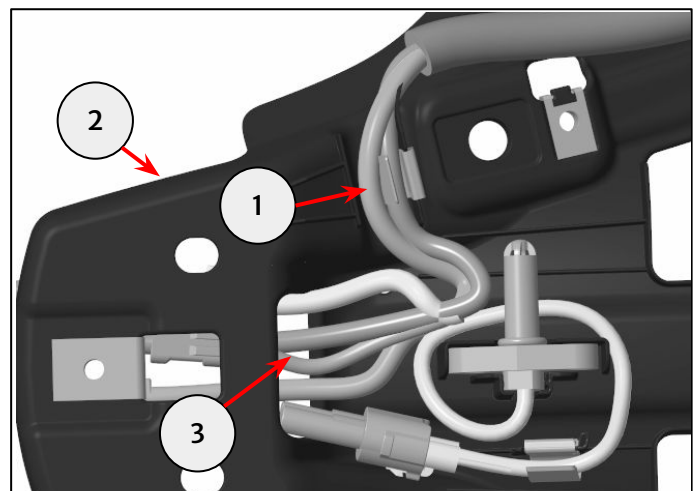


35 Fit the rear sub-harness removed in step 15 (1) into the cable holder clips (2) on the number plate hanger (3), as shown.

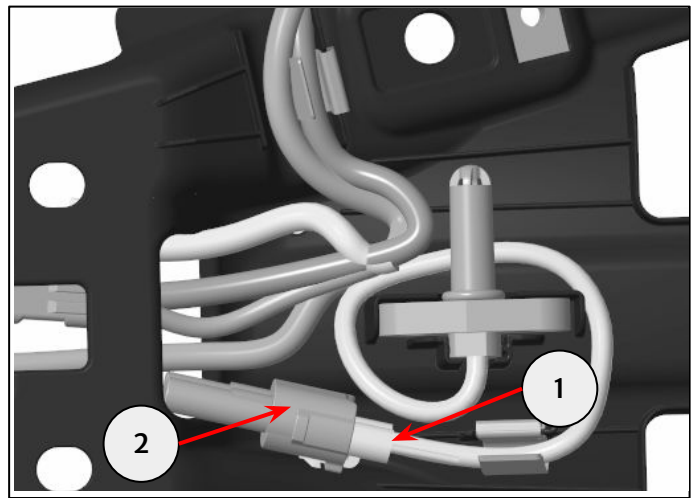


36 Feed the second sub-harness branch (1) through the recess in the number plant hanger (2).

Pass the connectors through the hole in the panel (3).



37 Connect the air temperature sensor connector (1) to the rear sub-harness connector (2).

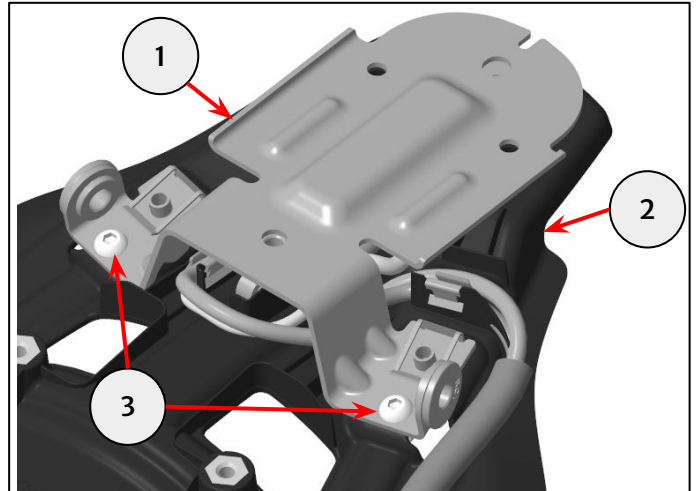


38 Fit the rear bracket (1) to the number plate hanger (2) with two M5 x 12mm button head fixings from the kit (3).

Do not fully tighten the fixings at this stage.



4mm hexagonal bit and ratchet

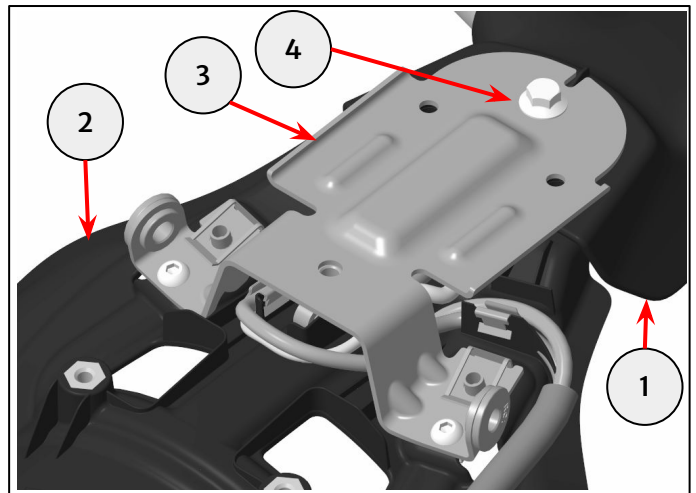


39 Slide the number plate carrier panel (1) between the rear number plate hanger (2) and the rear bracket (3).

Fit a M6 x 16mm fixing (4) from the kit and tighten to 9Nm.



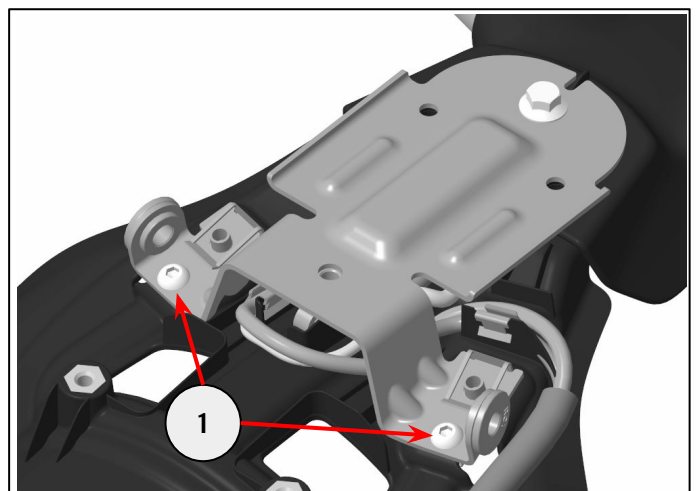
10mm socket and torque wrench



40 Tighten the M5 fixings (1) to 5Nm.

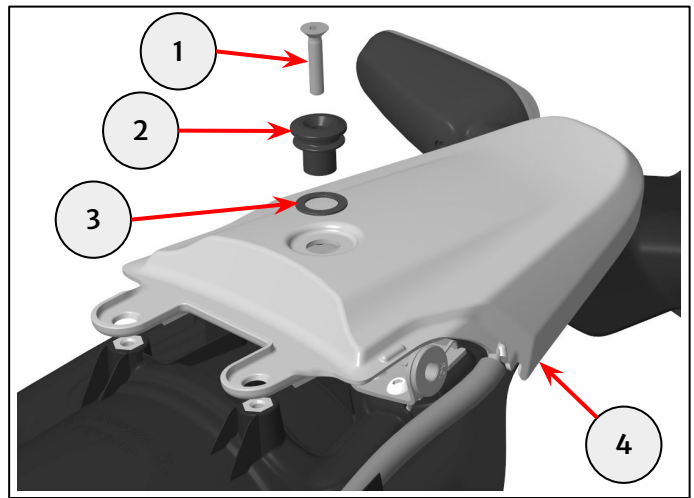
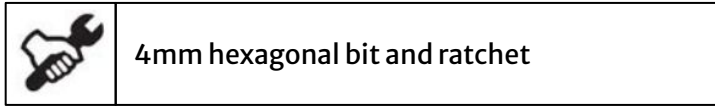


4mm hexagonal bit and torque wrench



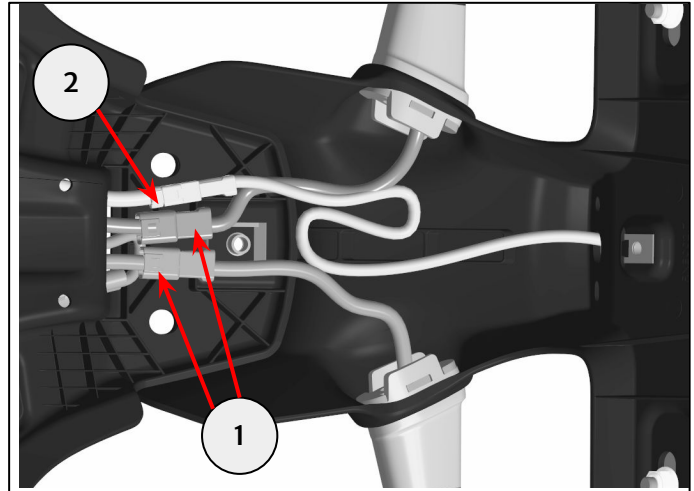
41 Fit the M6 x 30mm fixing (1), centre panel bobbin (2) and rubber washer (3) from the kit through the top panel (4) and into the rear bracket (hidden), as shown.

Do not fully tighten the fixing at this stage.



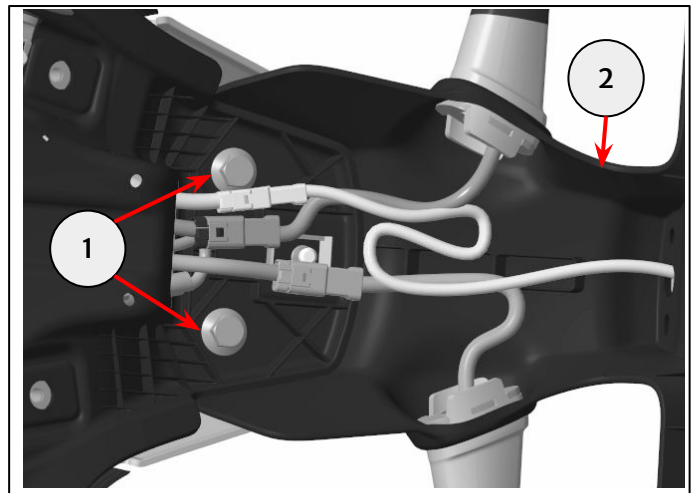
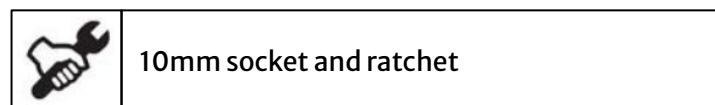
42 On a protective surface, flip the panels over and connect the indicator (1) and rear number plate light (2) connectors to the rear sub harness.

Note: The longer indicator connector branch of the sub harness connects the right hand indicator.



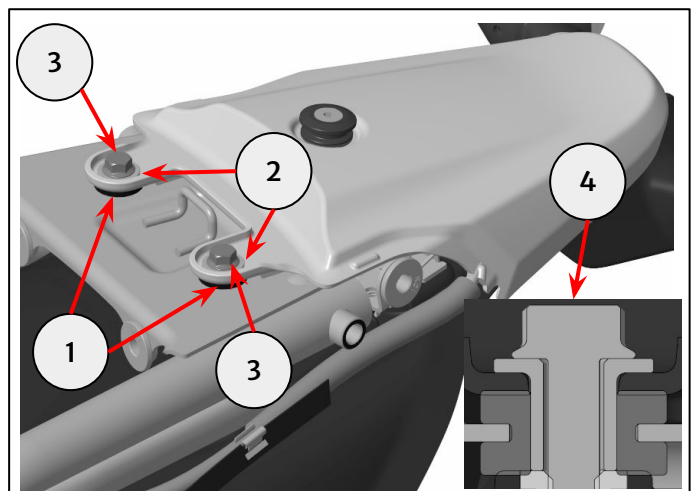
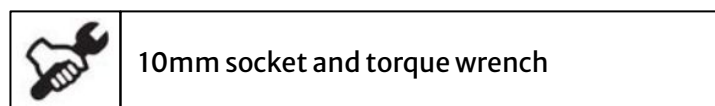
43 Fit two M6 x 16mm fixings (1) into the number plate hanger (2).

Do not fully tighten the fixings at this stage



44 Check the two rubber grommets (1) are in place and offer the assembly up to the motorcycle.

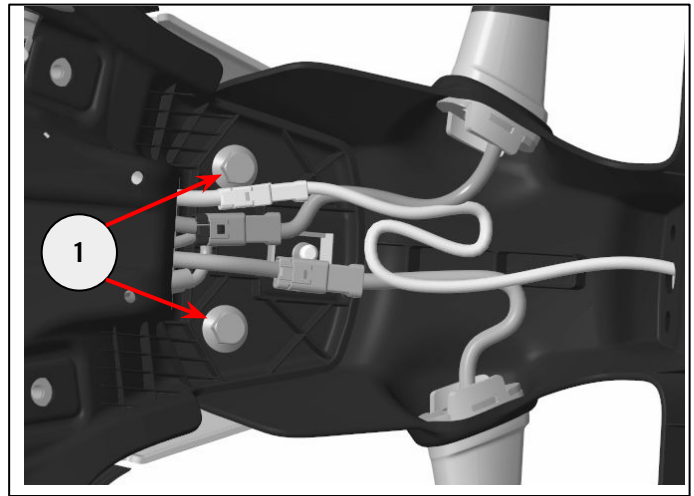
Ensure that sub-harness is routed through the battery tray and fit the two reused top hats (2) and M6 x 25mm fixings (3) removed in step 5, as shown (4). Tighten to 9Nm.



45 Tighten the two M6 x 16mm fixings (1) through the number plate hanger to **9Nm**.



10mm socket and torque wrench

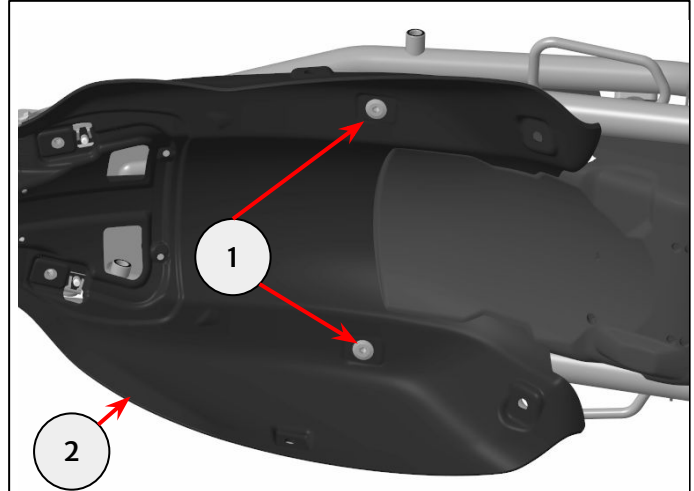


46 Fit the two M6 fixings (1) removed in step 4 to secure the rear number plate hanger (2), as shown.

Tighten to **9Nm**.



5mm hexagonal bit and torque wrench



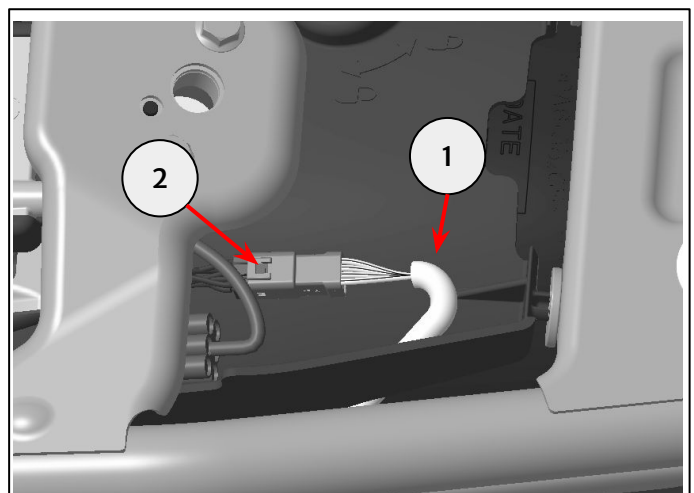
47 Tighten the M6 fixing (1) through the top panel to **9Nm**.



4mm hexagonal bit and torque wrench

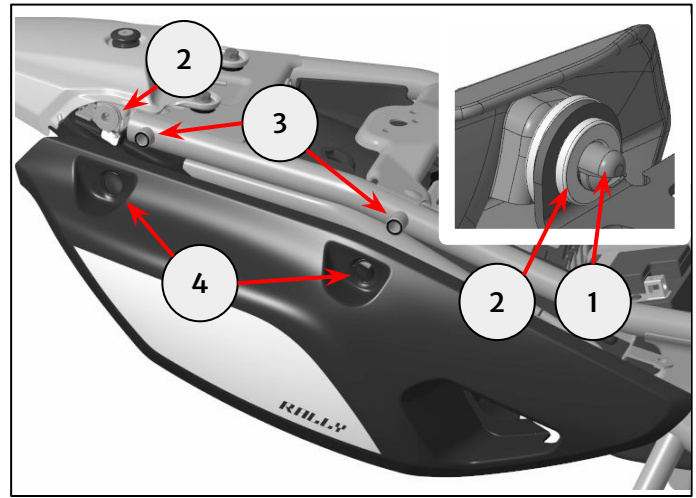


48 Connect the rear sub-harness (1) to the main harness (2).



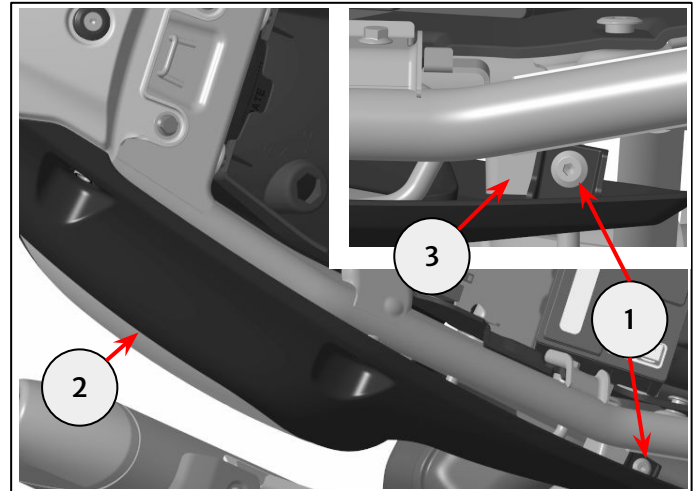
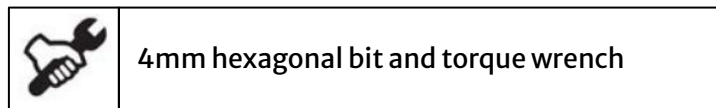
49 Fit the right side panel bayonet feature (1) into the grommet (2) on the rear bracket.

Note: Ensure the frame bosses (3) pass through the cutouts in the side panel (4).



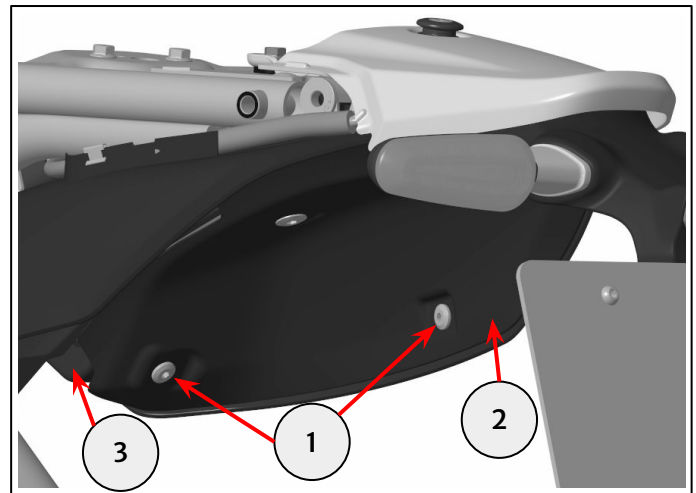
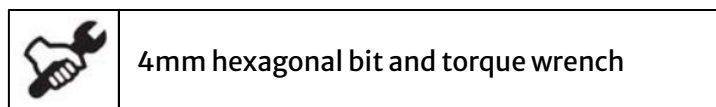
50 Fit a M5 x 12mm button head shouldered fixing (1) from the kit to secure the front tab of the right side panel (2) to the front bracket (3).

Tighten to 5Nm.

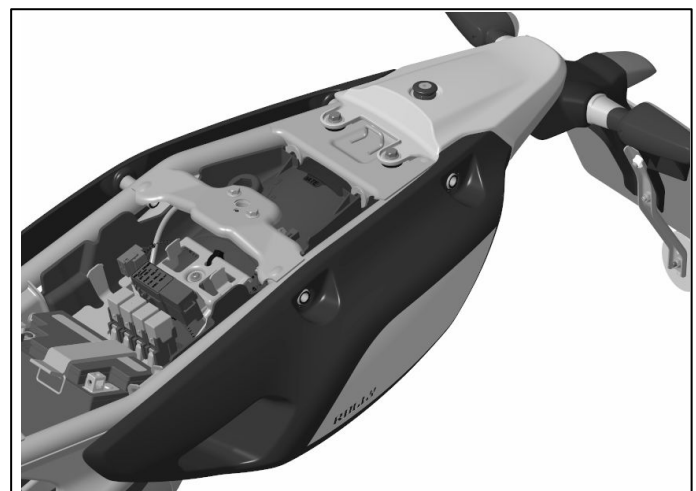


51 Fit two M5 x 12mm button head shouldered fixings (1) into the number plate hanger (2) to secure right side panel (3).

Tighten to 5Nm.

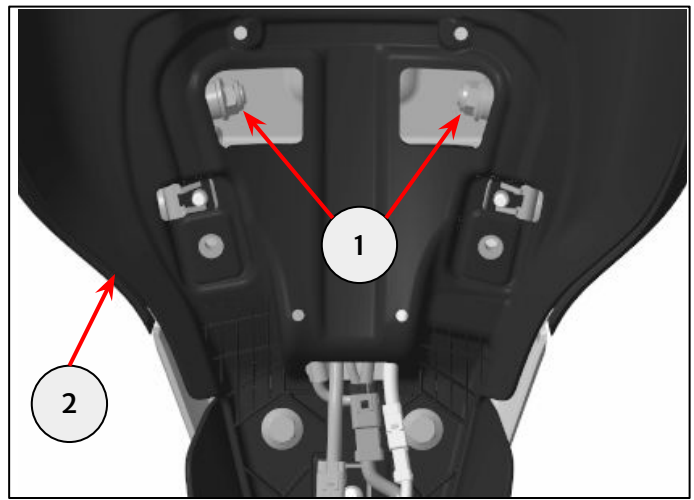


52 Repeat steps 49 to 51 on the left hand side.



53 Note: For India market the original luggage rack must now be fitted. For all other markets either the luggage rack or the Rally Seat Strap must be fitted at this stage.

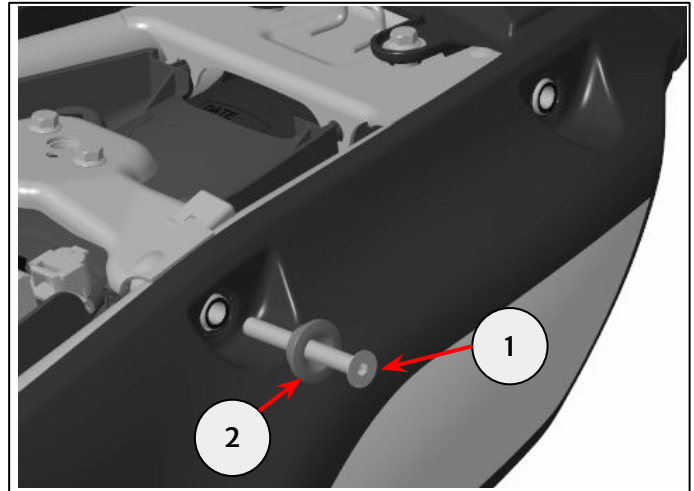
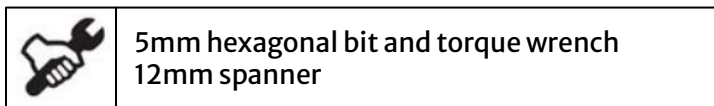
For both options, access to fit the rear M8 nuts (1) is provided from the underside through cutouts in the number plate hanger (2).



54a - Rally Seat Strap

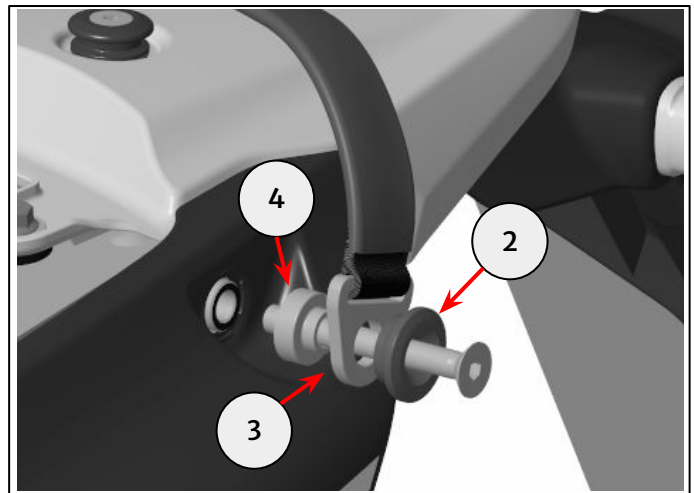
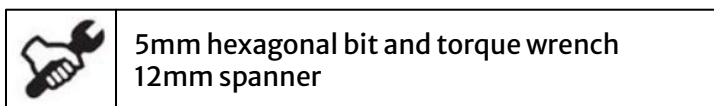
Fit a M8 x 70mm fixing (1) and a side panel bobbin (2) onto the front left frame boss. Secure with a M8 nut removed in step 6, as shown. Tighten to **20Nm**.

Repeat for the right hand side.



Fit a M8 x 70mm countersunk fixing (1), with a side panel bobbin (2), seat strap bracket (3) and bobbin spacer (4) onto the rear left frame boss. Secure with a M8 nut removed in step 6, as shown. Tighten to **20Nm**.

Repeat for the right hand side.

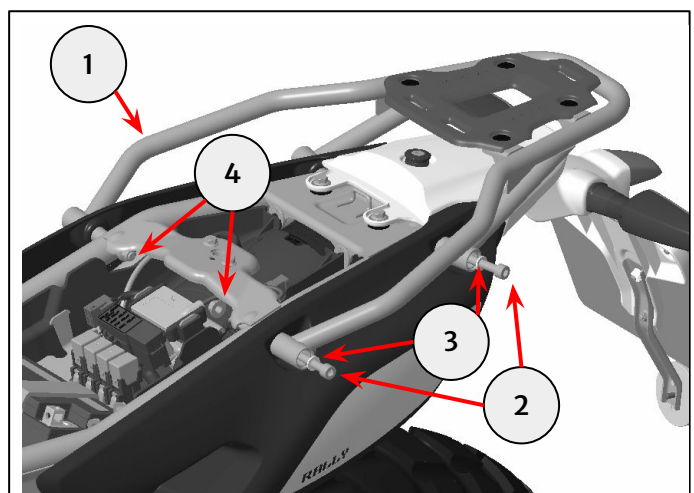
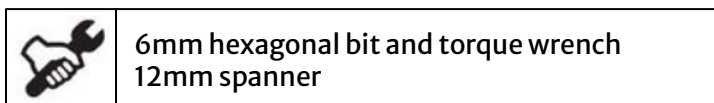


54b - Luggage rack

Refit the luggage rack (1) using the four M8 fixings (2), washers (3) and M8 nuts (4) removed in step 6.

Tighten to **34Nm**.

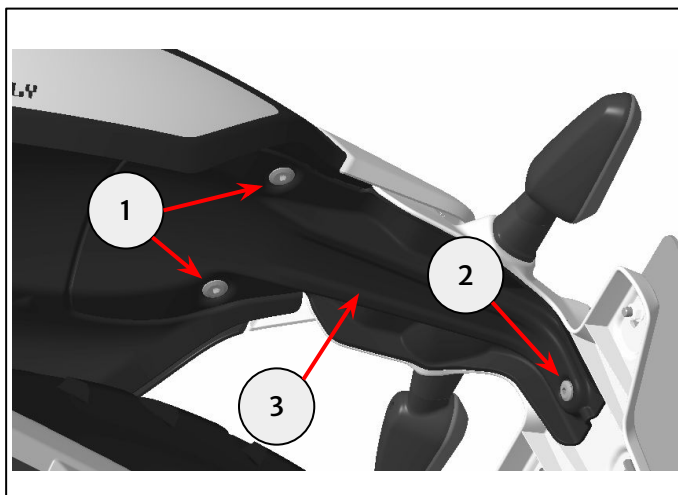
Note: Care should be taken not to scratch the side panels.



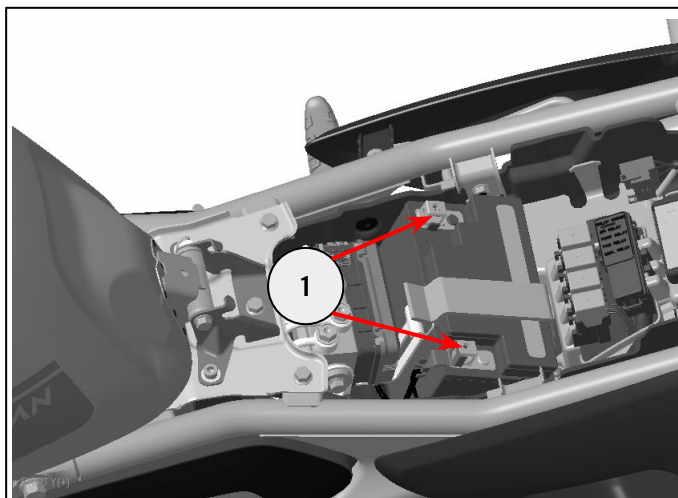
55 Fit two M6 x 15mm shouldered fixings (black) (1) and then a M5 x 12mm shouldered fixing (2) from the kit to secure the inspection panel (3), as shown. Tighten the M6 fixings (1) to 9Nm. Tighten the M5 fixing (2) to 5Nm.



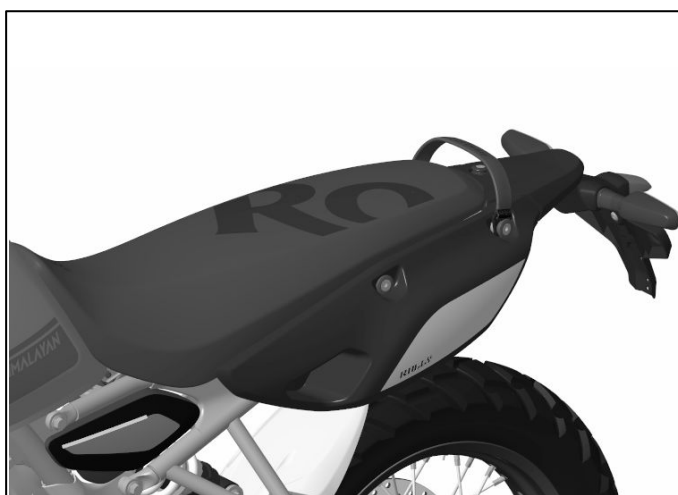
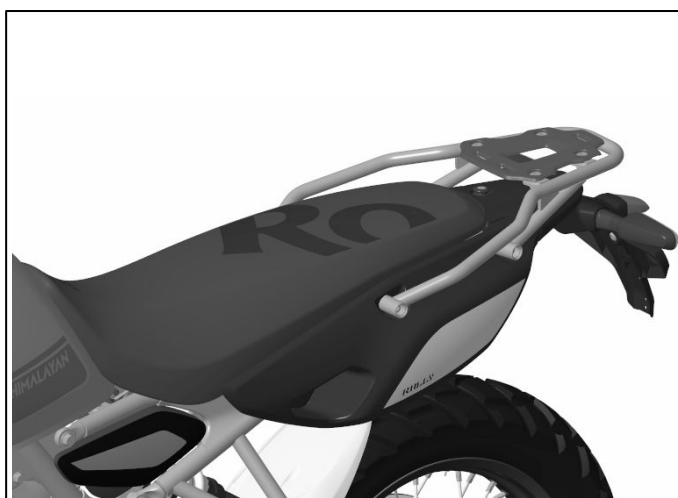
4mm and 5mm hexagonal bit and torque wrench



56 Refit and reconnect the motorcycle battery (1) as described in the Owner's Manual.



57 Fit the Rally Seat as described in the Owner's Manual.





WARNING: After fitting any genuine Royal Enfield accessory always ride the motorcycle with caution and allow time to become familiar with any change in the motorcycle handling characteristics. Failure to become familiar with any change in the motorcycle handling characteristics may cause the motorcycle to become unstable and result in an accident.