




Part Number:
KXA00206, KXA00208

Models:
Super Meteor
VIN starting with ME3P7B6FHN10007

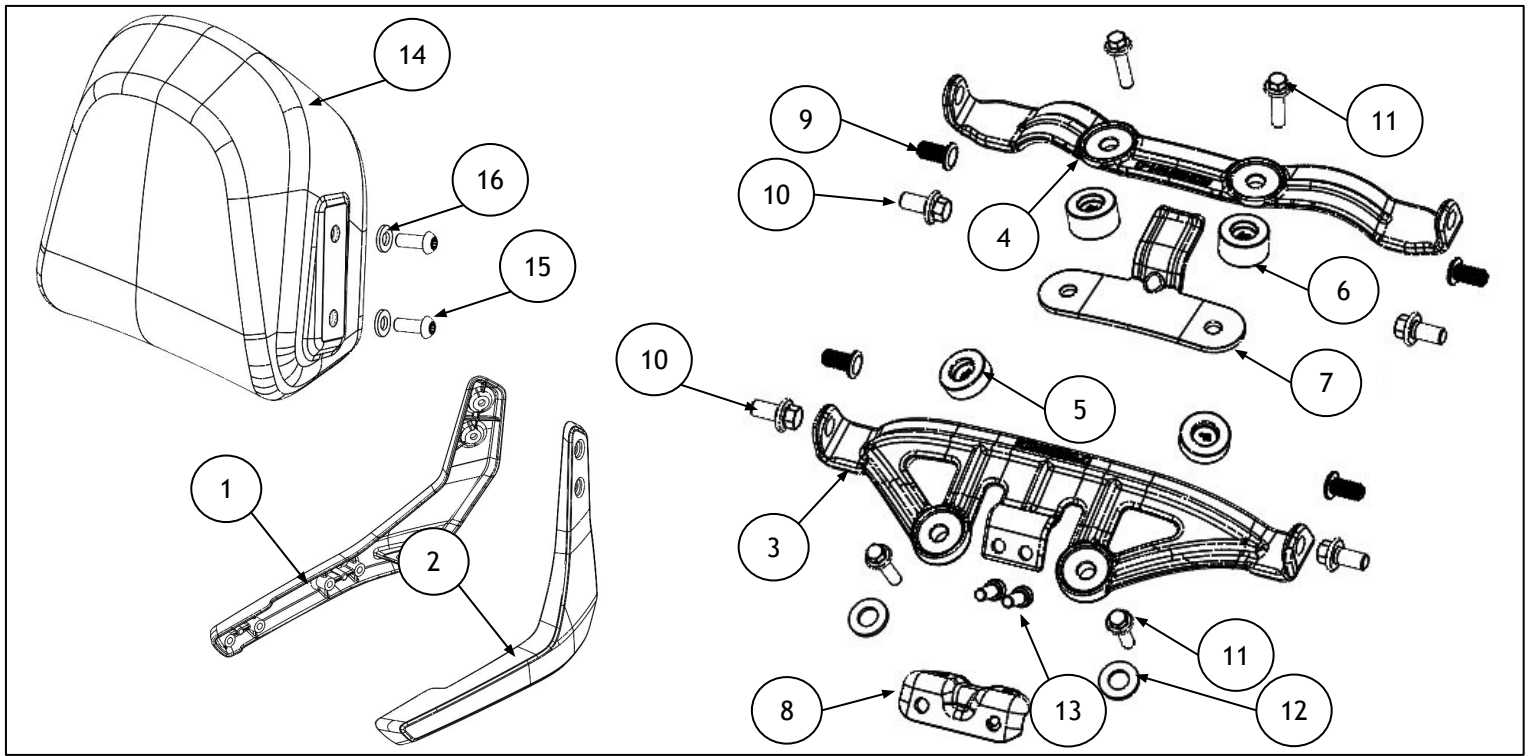
 **WARNING:** Royal Enfield genuine accessories are designed to fit only the specific Royal Enfield motorcycle(s) that are specified above. They should not be fitted to any other type of motorcycle. Pay particular attention to the warnings and cautions contained in this instruction, failure to do so may result in an incorrect installation of the accessory which could result in an unsafe riding condition and possible accident. If in any doubt always seek help from your authorised Royal Enfield dealer.

 **WARNING:** Before starting any accessory kit installation ensure the motorcycle is supported in a stable condition. Failure to support the motorcycle correctly could lead to motorcycle damage or personal injury.

 **WARNING:** All fixings must be tightened to the torque values specified in this instruction. Failure to tighten fixings to the correct torque could result in an unsafe riding condition and possible accident

 **CAUTION:** Care should be taken when fitting any accessory kit. Incorrect handling of kit components or the use of incorrect tools could lead to component or motorcycle damage.

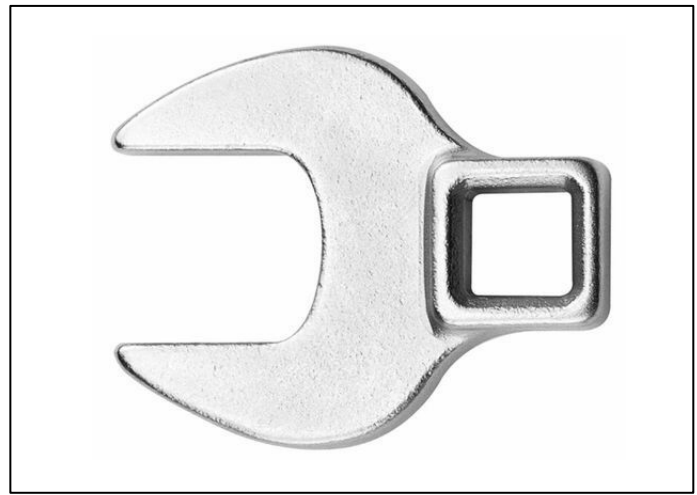
NOTE: The content of this instruction is subject to change at any time without notice or liability. Royal Enfield reserves the right to revise the information presented at any time.



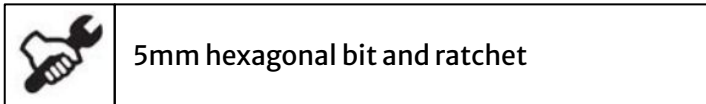
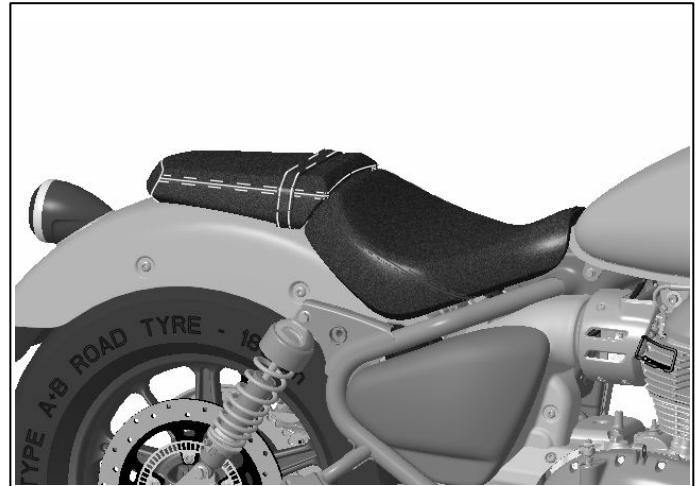
Item	Description	Qty
1	Side rail, right hand	1
2	Side rail, left hand	1
3	Front under seat bracket	1
4	Rear under seat bracket	1
5	Front rubber seat support (Standard seat only)	2
6	Rear rubber seat support (Standard seat only)	2
7	Rear seat mount bracket (Standard seat only)	1
8	Front seat mount assembly (Standard seat only)	1
9	Thread bung	4
10	Fixing, M8 x 16mm	4
11	Fixing, M6 x 25 mm	4
12	Washer, M10	2
13	Fixing, M6 x 16mm (Standard seat only)	2
14	Backrest pad	1
15	Fixing, M6 x 16mm	4
16	Washer, M6	4

Fitment with standard seats:

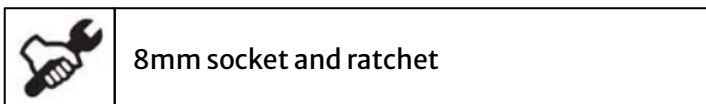
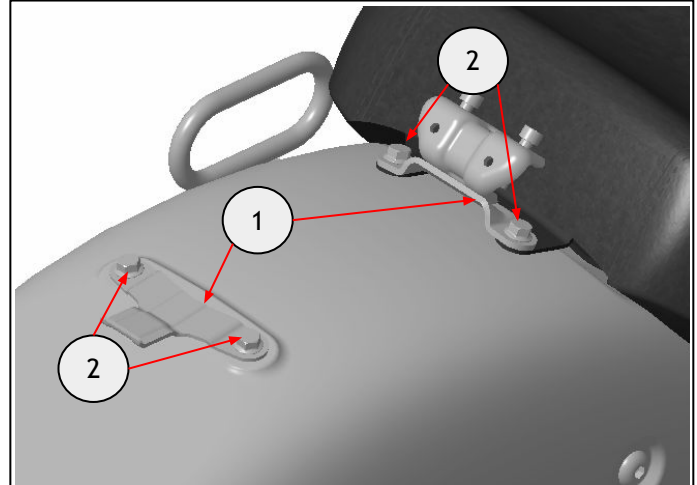
1 Ensure you have the correct crow foot spanner head before fitting this product.



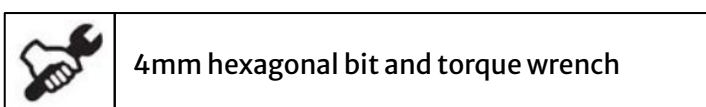
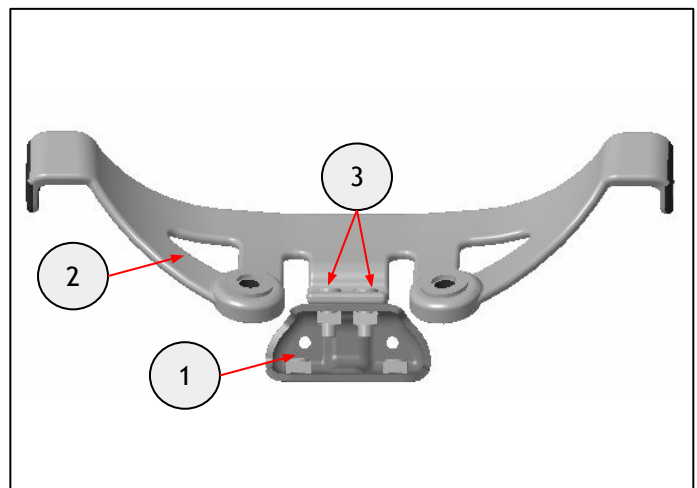
2 Remove the pillion seat as described in the Owner's Manual and retain for reuse.



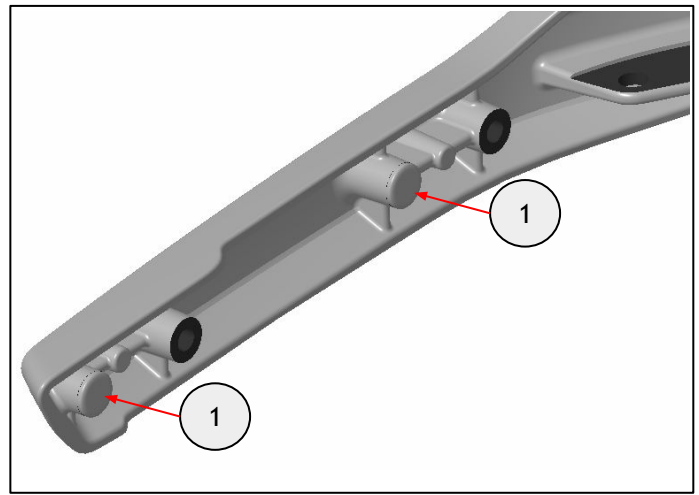
3 Remove the pillion seat brackets (1) by removing the fixings (2). Retain for reuse if the motorcycle is to be returned to its original condition.



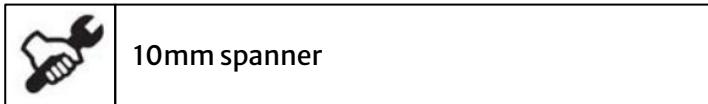
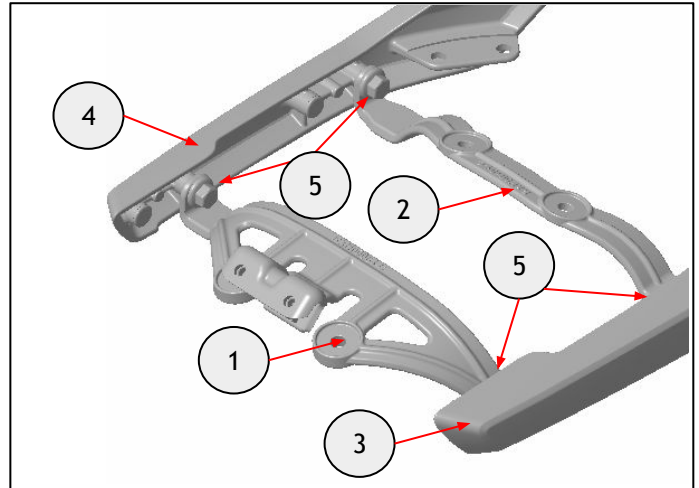
4 Assemble the front seat mount assembly (1) with the front under seat bracket (2) using two M6 x 16mm fixings (3) from the kit. Tighten the fixings to **10 NM**.



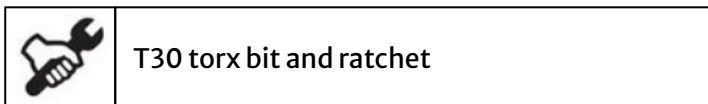
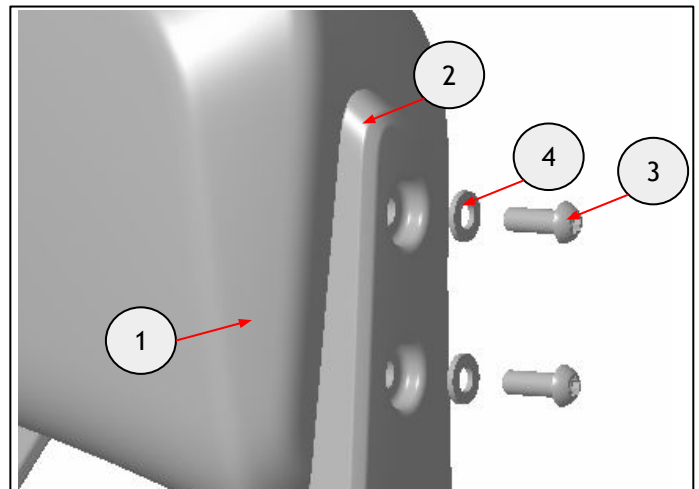
5 Fit the thread bungs (1) into the front holes. Repeat on the left rail.



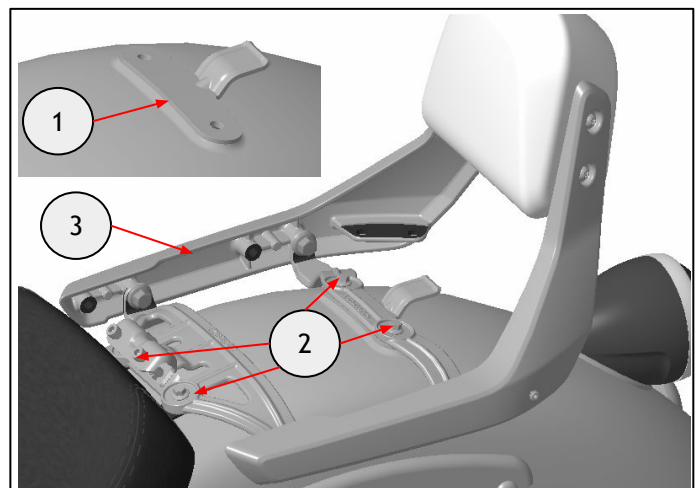
6 Assemble the front (1) and rear (2) under seat brackets to the left (3) and right (4) hand rails using four M8 x 16mm fixings (5) from the kit on the rear mounting holes. Do not fully tighten at this stage.



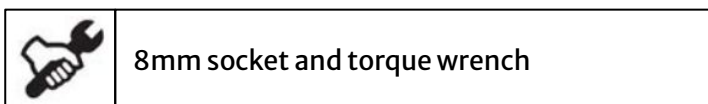
7 Align the backrest pad (1) with the side rails (2). Fit the M6 x 16mm fixings (3) and washers (4) from the kit. Do not fully tighten at this stage.



8 Align the rear seat mount bracket (1) with the rear pillion mounting holes. Fit the four M6 x 25mm fixings (2) from the kit to secure the backrest assembly (3), as shown.



Tighten the fixings to **18 Nm**.



9 Tighten the rails fixings (1) to **20 Nm**.

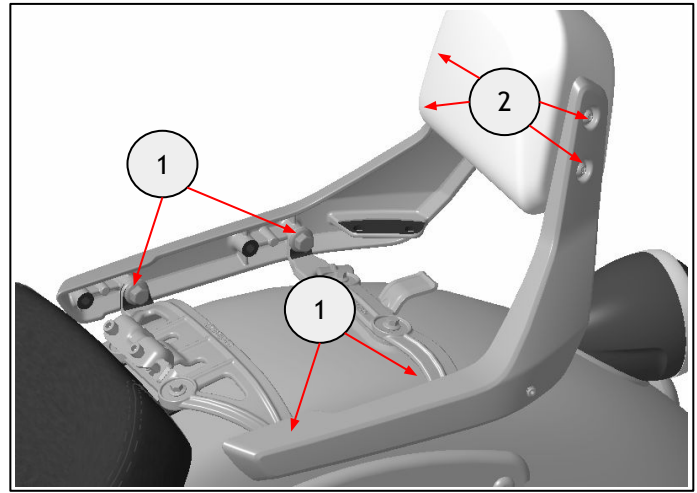


10 mm crow foot spanner head and torque wrench

Tighten the backrest pad fixings (2) to **10 Nm**.



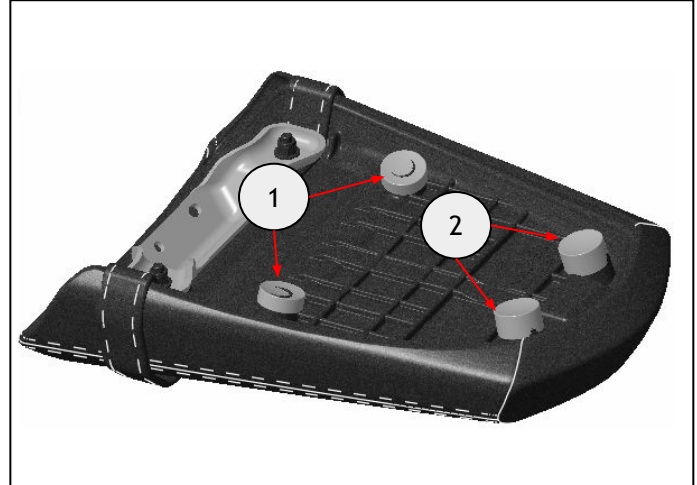
T30 torx bit and torque wrench



10 Fit the rubber adaptors from the kit over the existing rubber feet.

NOTE

Front rubber seat supports (1) are marked with an F
Rear rubber seat supports (2) are marked with an R

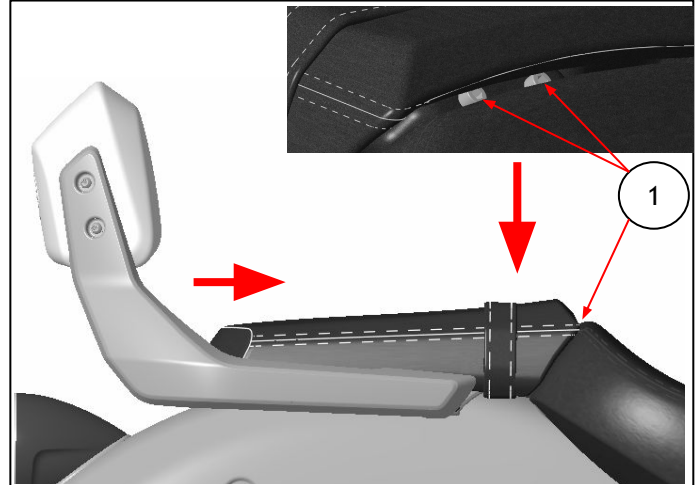


11 Assemble the pillion seat as described in the owner's manual.

Tighten the fixing (1) to **10 Nm**.



5mm hexagonal bit and ratchet



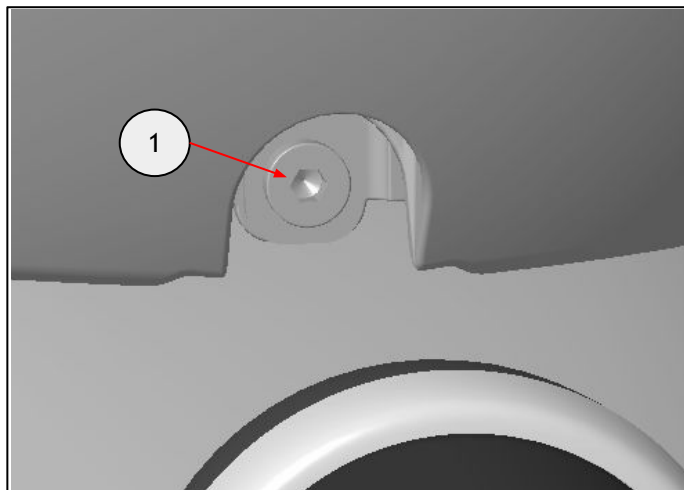
WARNING: After fitting any genuine Royal Enfield accessory always ride the motorcycle with caution and allow time to become familiar with any change in the motorcycle handling characteristics. Failure to become familiar with any change in the motorcycle handling characteristics may cause the motorcycle to become unstable and result in an accident.

Fitment with Deluxe Touring seat:

12 Ensure you have the correct crow foot spanner head before fitting this product.

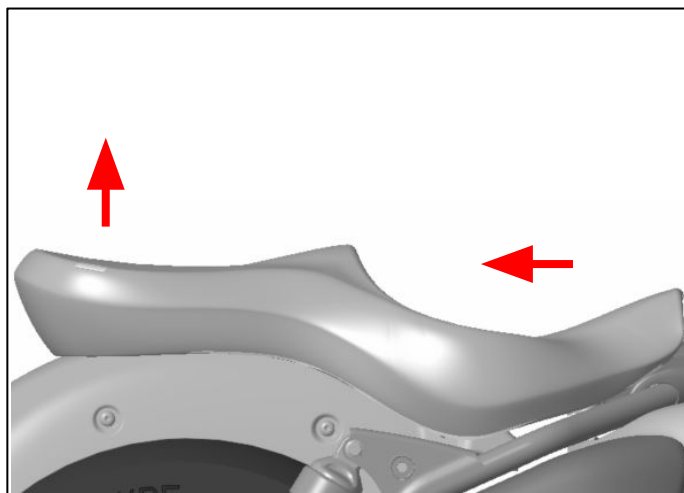


13 Remove the deluxe touring seat by removing the fixing (1) at the rear of the seat. Retain both for reuse.

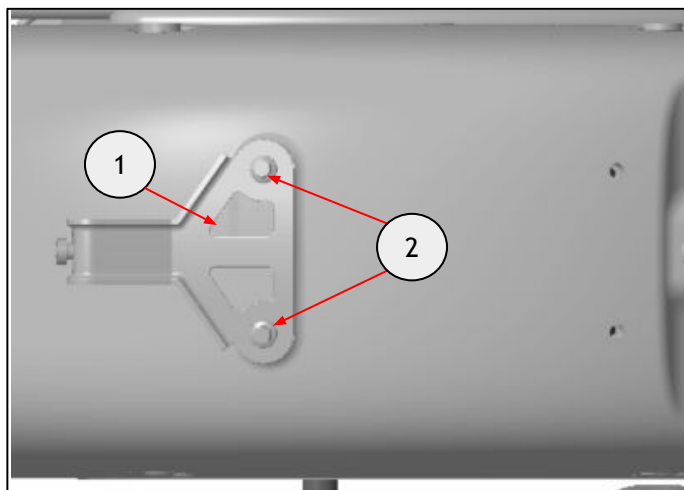


6mm hexagonal bit and ratchet

14 Lift the rear of the seat, then slide it rearward to remove.



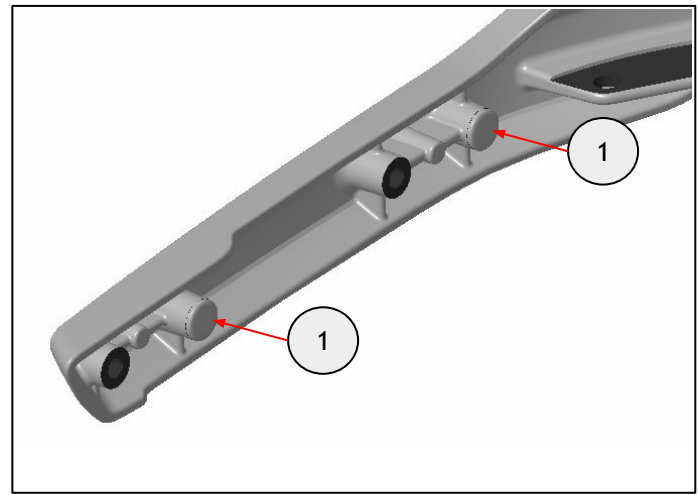
15 Remove the rear bracket (1) by removing the fixings (2). Retain the rear bracket (1) for reuse. Retain the fixings (2) for reuse if the motorcycle is to be returned to its original condition.



8mm socket and ratchet

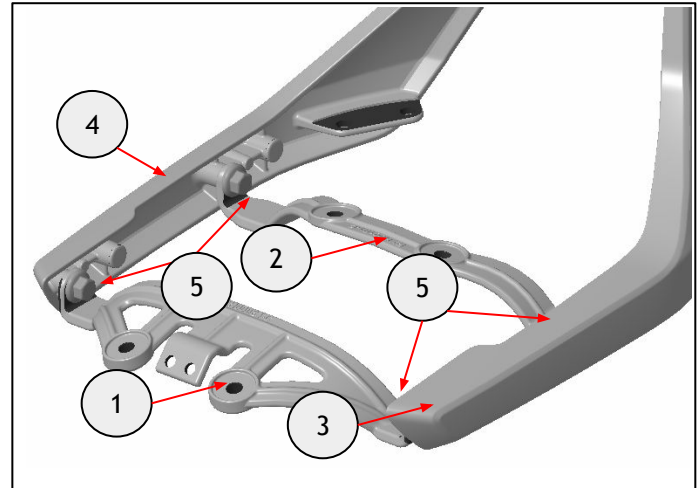
16 Fit the thread bungs (1) into the rear holes.

Repeat on the left rail.



17 Assemble the front (1) and rear (2) under seat brackets to the left (3) and right (4) hand rails using four M8 x 16mm fixings (5) from the kit on the front mounting holes.

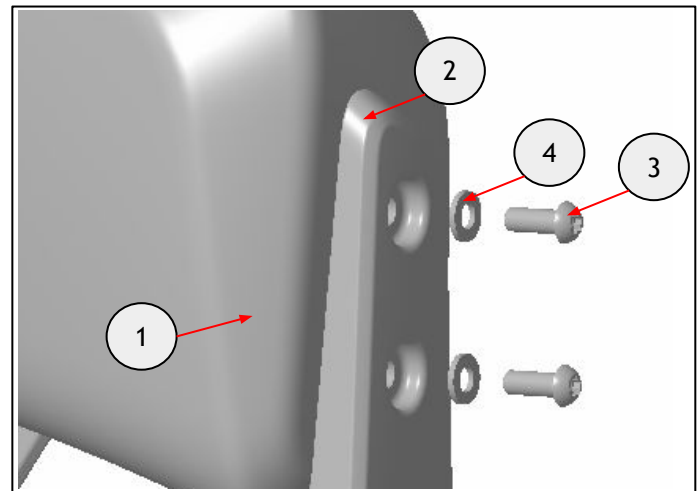
Do not fully tighten at this stage.



10mm spanner

18 Align the backrest pad (1) with the side rails (2). Fit the M6 x 16mm fixings (3) and washers (4) from the kit.

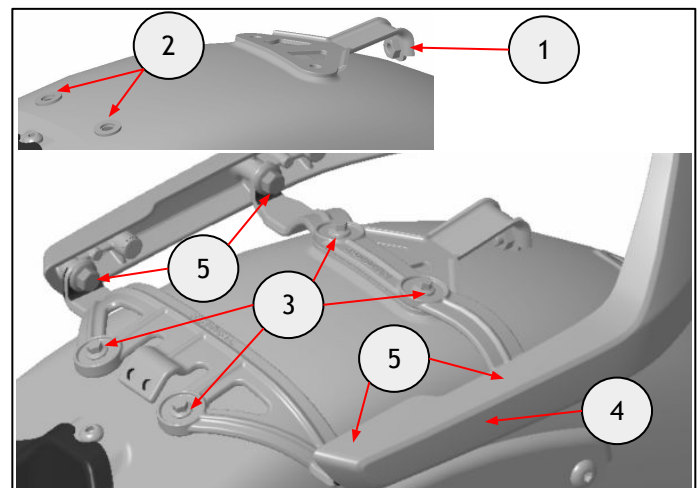
Do not fully tighten at this stage.



T30 torx bit and ratchet

19 Align the rear seat mount bracket (1) on the rear pillion mounting holes. Position two M10 washers (2) from the kit on the front mounting holes.

Fit the four M6 x 25mm fixings (3) from the kit to secure the backrest assembly (4), as shown.
Tighten the fixings (3) to **18 Nm**.
Tighten the rails fixings (5) to **20 Nm**.

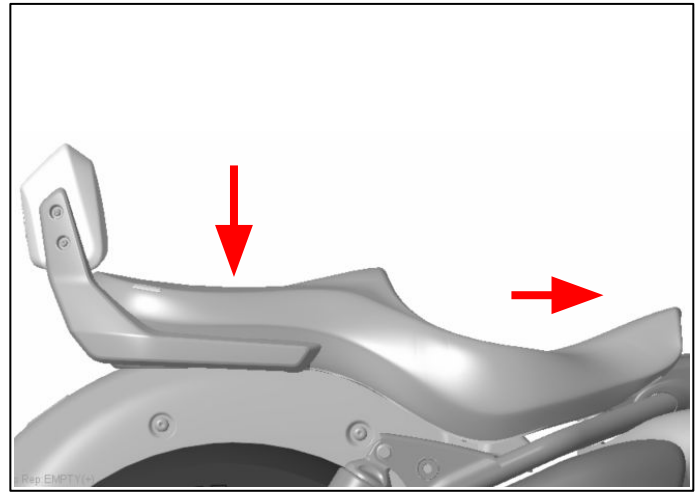


8mm socket and torque wrench



10 mm crow foot spanner head and torque wrench

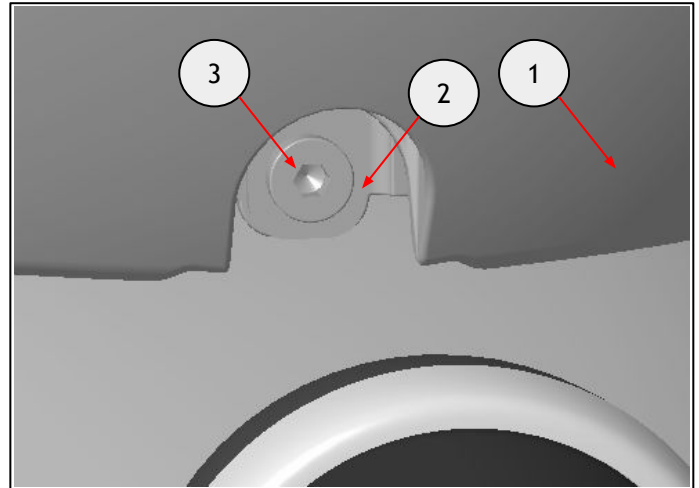
20 Hook the front of the seat to the tank then push down on the seat to put it in place.



21 Align the seat (1) with the rear bracket (2). Fit the M8 x 16mm fixing (3) removed in step 13.

Ensure the seat is centred between the backrest grab rails.

Tighten the fixing (3) to 18 Nm.

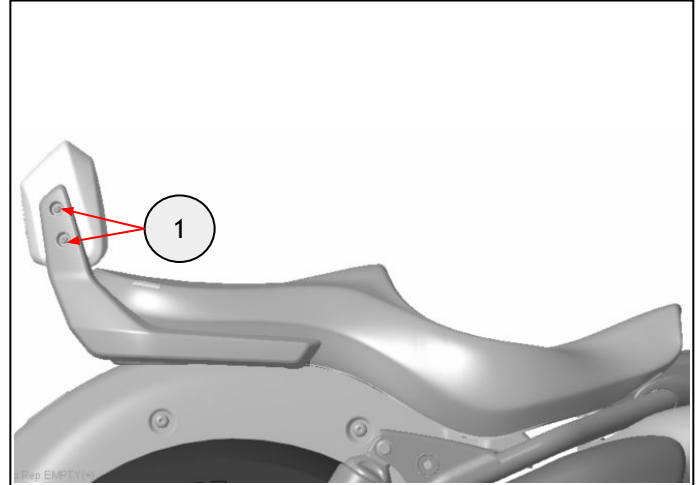


6mm hexagonal bit and torque wrench

22 Tighten the backrest pad fixings (1) to 10 Nm.



T30 torx bit with torque wrench



WARNING: After fitting any genuine Royal Enfield accessory always ride the motorcycle with caution and allow time to become familiar with any change in the motorcycle handling characteristics. Failure to become familiar with any change in the motorcycle handling characteristics may cause the motorcycle to become unstable and result in an accident.