



Accessory Fitting Instructions

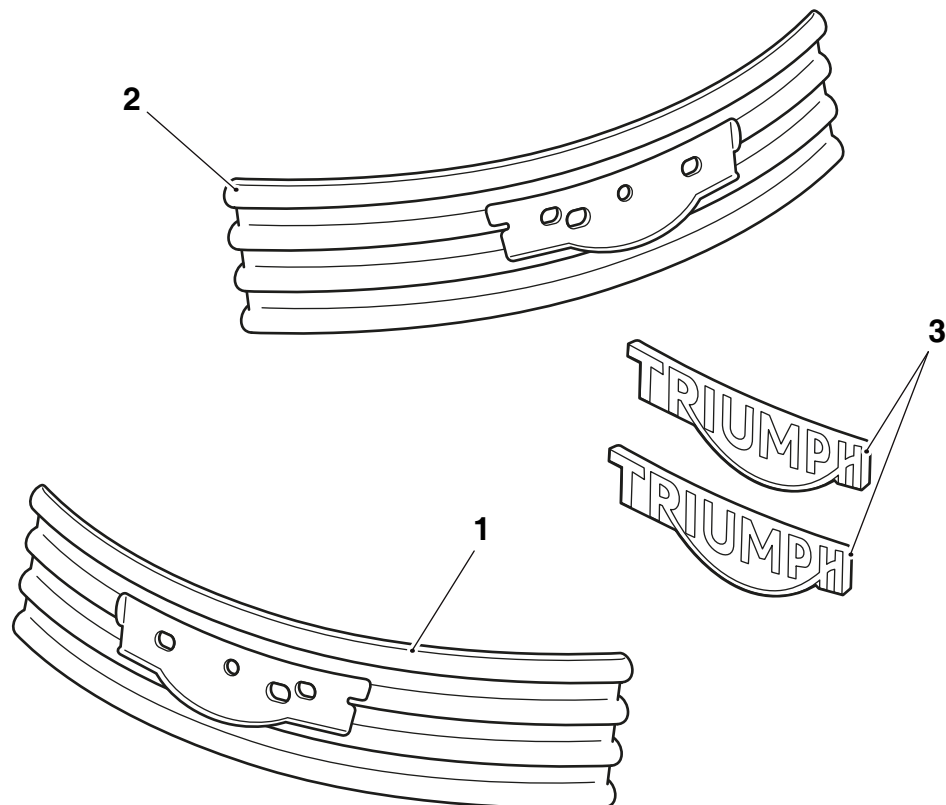
Tank Badge Kit	
Kit number	Models Affected
A9790059, A9790070	Bonneville T100 from VIN 759204, Bonneville T120, Bonneville T120 Black
A9798013	Bonneville T100 from VIN 759204, Bonneville T120, Bonneville T120 Black

Thank you for choosing this Triumph genuine accessory kit. This accessory kit is the product of Triumph's use of proven engineering, exhaustive testing, and continuous striving for superior reliability, safety and performance.

Completely read all of these instructions before commencing the installation of the accessory kit in order to become thoroughly familiar with the kit's features and the installation process.

These instructions should be considered a permanent part of your accessory kit, and should remain with it even if your accessory-equipped motorcycle is subsequently sold.

Parts supplied



1. Tank badge, right hand	1 off	3. Tank badge insert	2 off
2. Tank badge, left hand	1 off	4. Cleaning wipe (not shown)	1 off

Warning

Fit only genuine Triumph accessories to those models approved by Triumph as listed in the associated Triumph fitting instructions. The accessory kits covered in this instruction are designed for use on specific models of Triumph motorcycle. The accessory kits and the models applicable are listed at the start of the instruction. They should never be fitted to any other Triumph model or to any other manufacturer's motorcycle. Fitting an accessory kit to a Triumph model not listed, or to any other manufacturer's motorcycle will affect the performance, stability and handling of the motorcycle. This may affect the rider's ability to control the motorcycle and could result in an accident causing severe injuries or death.

Warning

Always have Triumph approved parts, accessories and conversions fitted by a trained technician of an authorised Triumph dealer. The fitment of parts, accessories and conversions by a technician who is not of an authorised Triumph dealer may affect the handling, stability or other aspects of the motorcycle's operation which may result in loss of motorcycle control and an accident.

Warning

Throughout this operation, ensure that the motorcycle is stabilised and adequately supported to prevent risk of injury from the motorcycle falling.

Note:

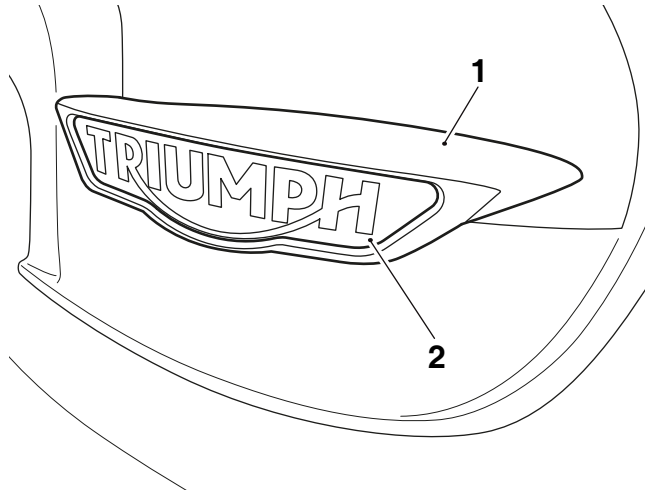
- Triumph offers a broad range of approved genuine accessories for your motorcycle. We cannot therefore cover all possible equipment variations in these instructions. For removal and installation of Triumph Genuine Accessories, always refer to the instructions supplied with the respective accessory kit. To obtain additional copies of any Triumph accessory instructions, visit www.triumphinstructions.com or contact your authorised Triumph dealer.

Bonneville T120, Bonneville T120 Black Models Only

Caution

Care should be taken to ensure that any tool used to remove the original tank badge inserts will not cause damage to the fuel tank paintwork. Any tool which is allowed to contact the fuel tank could result in damage to the paintwork.

1. Using a suitable tool carefully remove the original tank badge insert from the right hand fuel tank badge. Discard the tank badge insert.



1. Tank badge
2. Tank badge insert

All Models

2. Remove the two fixings from the tank badge and remove the tank badge from the fuel tank. Retain the tank badge and fixings for reuse if the motorcycle is to be returned to its original condition.

Note:

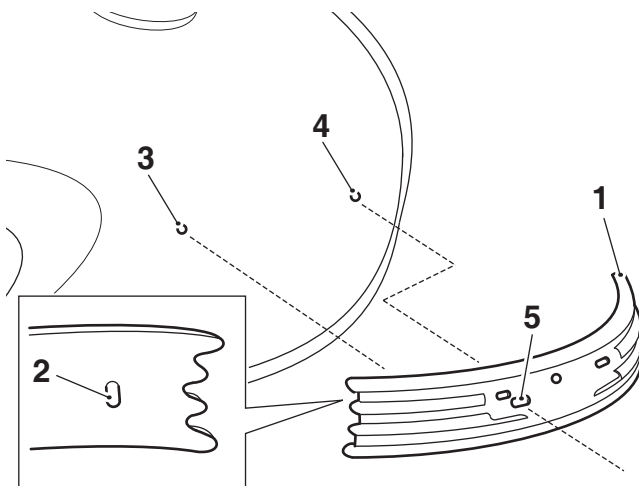
- Read the warning notices printed on the cleaning wipe packet.
- The surface to which the tank badge mounting is affixed must be clean and dry to ensure that the adhesive has a sound base to adhere to. Use the cleaning wipe supplied for this purpose.
- 3. Clean the fuel tank with the cleaning wipe provided.



Caution

When fitting self-adhesive parts care must be taken to ensure positioning is correct and accurate. Once the adhesive has been attached to the mounting surface, there is no satisfactory method of removal or re-positioning if incorrectly aligned. Initial bonding is instant, full bonding is achieved after 72 hours.

4. Remove the protective film from the right hand tank badge.
5. Align the location peg on the rear of the badge with the rear fixing position in the fuel tank. Adjust the orientation of the badge to align the larger slot in the mounting with the front fixing position in the fuel tank, as shown. When aligned correctly press the tank badge on to the fuel tank.

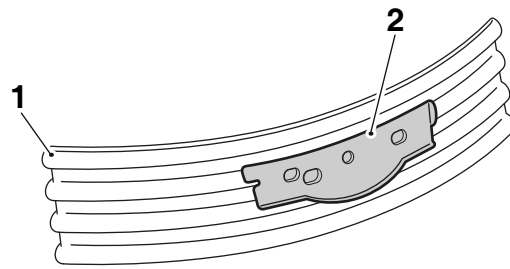


1. Tank badge
2. Location peg
3. Rear fixing position
4. Front fixing position
5. Slot

Note:

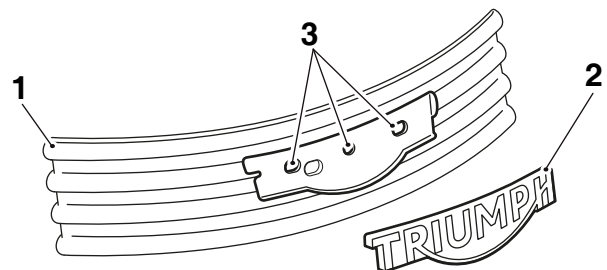
- Read the warning notices printed on the cleaning wipe packet.
- The surface to which the tank badge insert is affixed must be clean and dry to ensure that the adhesive has a sound base to adhere to. Use the cleaning wipe supplied for this purpose.

6. Clean the location area for the badge insert on the badge with the cleaning wipe provided.



1. Badge
2. Cleaning area

7. Collect one of the badge inserts from the kit. Remove the protective film from the rear of the badge insert. Align the badge insert with the location holes in the badge and press the badge insert on to the badge.



1. Tank badge mounting
2. Badge insert
3. Location holes

8. Repeat steps 1 to 7 for the left hand side.

 **Warning**

If, after fitting this accessory kit, you have any doubt about the performance of any aspect of the motorcycle, contact an authorised Triumph dealer and do not ride the motorcycle until the authorised dealer has declared it fit for use. Riding a motorcycle when there is any doubt as to any aspect of the performance of the motorcycle may result in loss of motorcycle control and an accident.

 **Warning**

Never ride an accessory-equipped motorcycle at speeds above 80 mph (130 km/h).

The presence of accessories will cause changes in the stability and handling of the motorcycle. Failure to allow for changes in motorcycle stability may result in loss of motorcycle control and an accident.

Remember that the 80 mph (130 km/h) limit will be reduced by the fitting of non-approved accessories, incorrect loading, worn tyres, overall motorcycle condition and poor road or weather conditions.

 **Warning**

The motorcycle must not be operated above the legal road speed limit except in closed-course conditions.

 **Warning**

Only operate this Triumph motorcycle at high speed in closed-course, on-road competition or on closed-course racetracks. High-speed operation should only be attempted by riders who have been instructed in the techniques necessary for high speed riding and are familiar with the motorcycle's characteristics in all conditions.

High-speed operation in any other circumstances is dangerous and may result in loss of motorcycle control and an accident.