

Part Number:

KXA00076 Side Box, right hand

Models :

With VIN starting ME3J3A5FAL3

 **WARNING:** Royal Enfield genuine accessories are designed to fit only the specific Royal Enfield motorcycle(s) that are specified above. They should not be fitted to any other type of motorcycle. Pay particular attention to the warnings and cautions contained in this instruction, failure to do so may result in an incorrect installation of the accessory which could result in an unsafe riding condition and possible accident. If in any doubt always seek the help from your authorised Royal Enfield dealer.

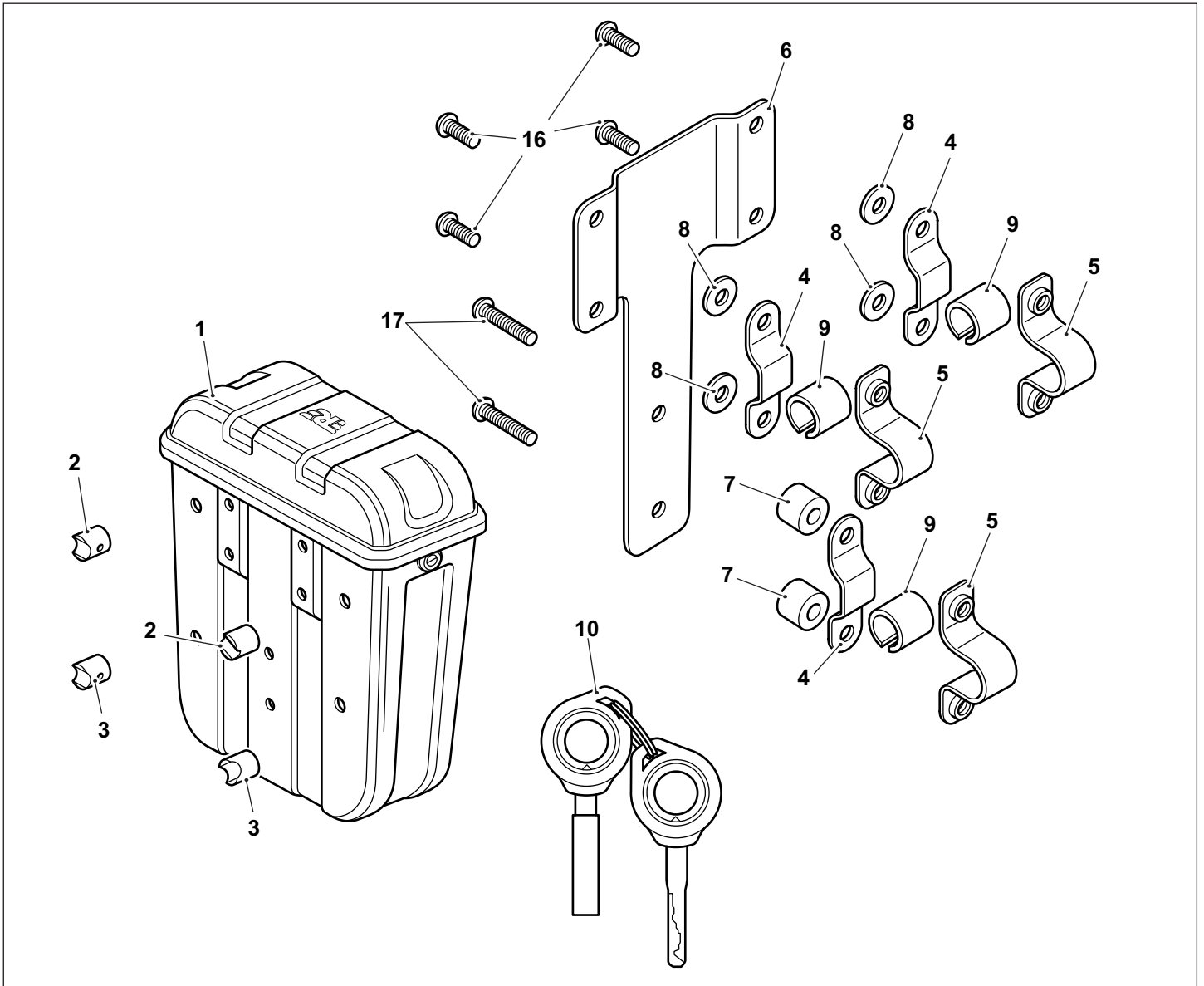
 **WARNING:** Before starting any accessory kit installation ensure the motorcycle is supported in a stable condition. Failure to support the motorcycle correctly could lead to motorcycle damage or personal injury.

 **WARNING:** All fixings must be tightened to the torque values specified in this instruction. Failure to tighten fixings to the correct torque could result in an unsafe riding condition and possible accident.

 **CAUTION:** Care should be taken when fitting any accessory kit. Incorrect handling kit components or the use of incorrect tools could lead to component or motorcycle damage.

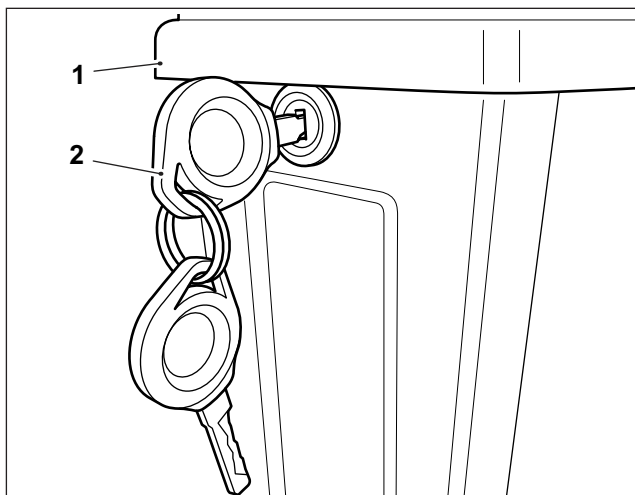
NOTE: The content of this instruction is subject to change at any time without notice or liability. Royal Enfield reserves the right to revise the information presented at any time.

NOTE: The accessory Side Box listed above requires the fitment of an accessory Pannier Rail kit KXA00042.

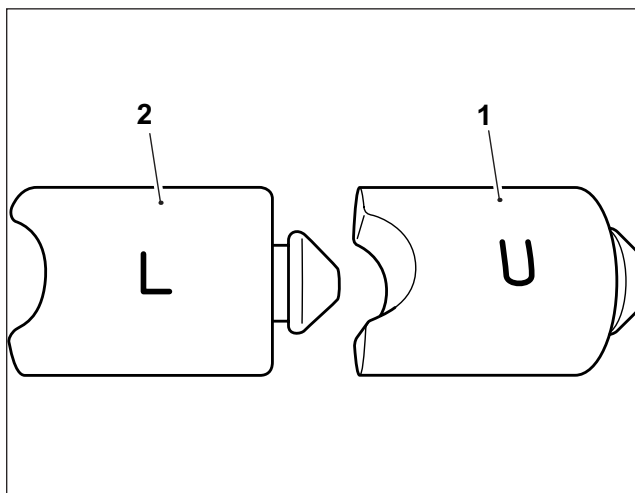


| Item | Description | Qty |
|------|----------------------------|-----|
| 1 | Side Box, right hand | 1 |
| 2 | Rubber mount, upper | 2 |
| 3 | Rubber mount, lower | 2 |
| 4 | Mounting bracket, inner | 3 |
| 5 | Mounting bracket, outer | 3 |
| 6 | Mounting bracket, internal | 1 |
| 7 | Spacer | 2 |
| 8 | Flanged sleeve | 4 |
| 9 | Mount grip | 3 |
| 10 | Key set | 1 |
| 11 | Fixing, M6 x 16 mm | 4 |
| 12 | Fixing, M6 x 30 mm | 2 |

1 Unlock the side box (1) with the key set(2) from the kit. Remove and unpack the mounting kit from inside the box.

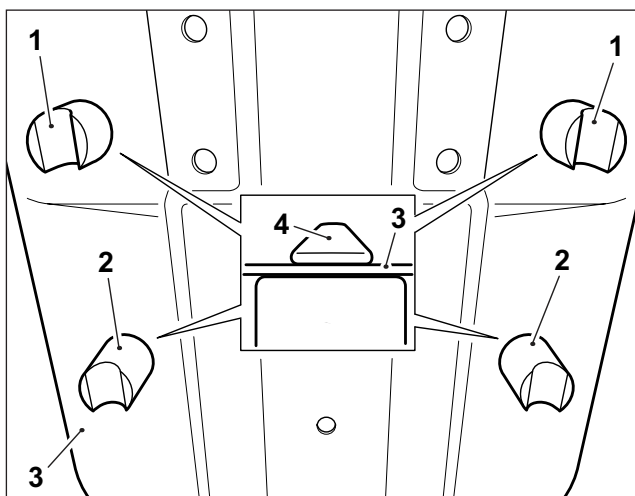


2 The upper (1) and lower (2) rubber mounts are clearly marked for identification. The upper mounts (1) are marked **U** and the lower mounts (2) are marked **L**.



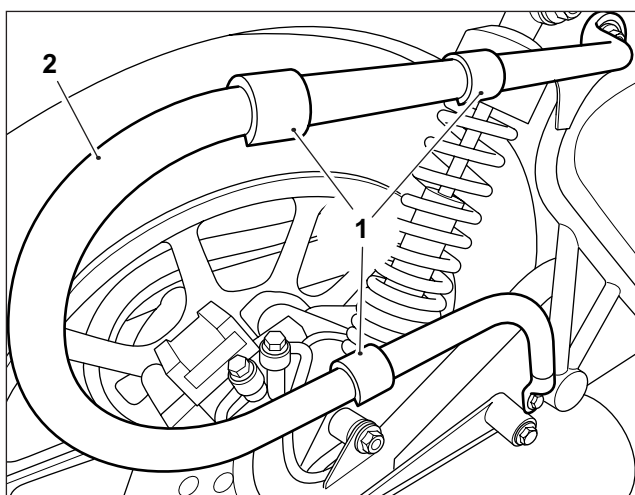
CAUTION: Ensure the inside of the side box is supported correctly when fitting the rubber mounts. Failure to support the inside of the side box while pushing the rubber mounts into position could result in damage to the side box.

3 Push fit and twist the upper (1) and lower (2) rubber mounts into the side box (3), as shown. Ensure the head (4) of the rubber mounts locate correctly on the inside of the side box.

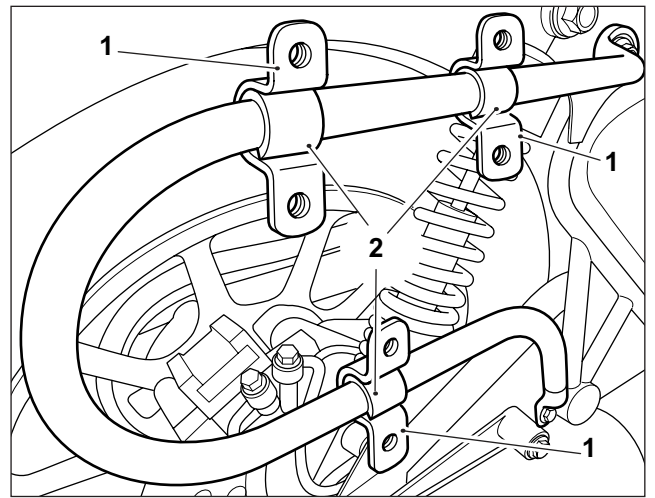


NOTE: For pannier rail fitment please refer to the accessory instructions KXL00044

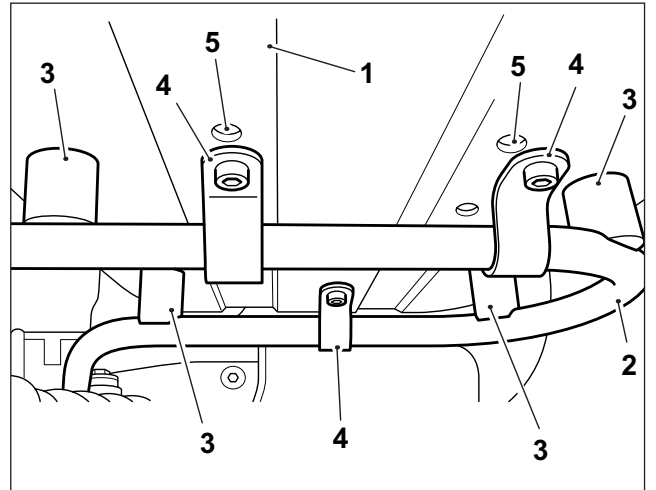
4 Fit the mount grips (1) from the kit on to the right hand pannier rail (2) as shown.



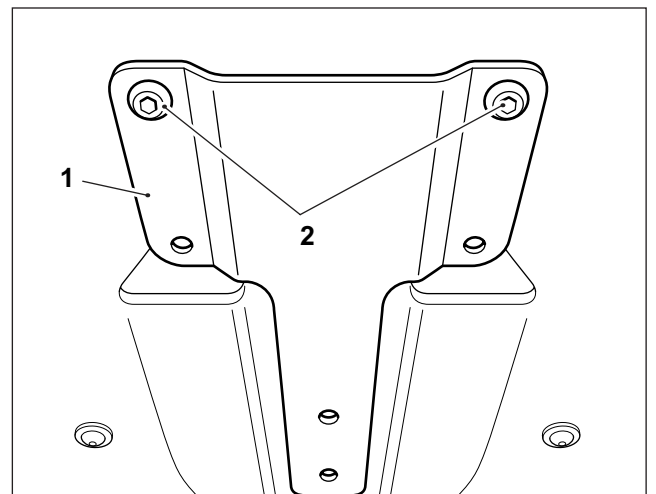
5 fit the outer mounting brackets (1) on to the mount grips (2) in the orientation shown.



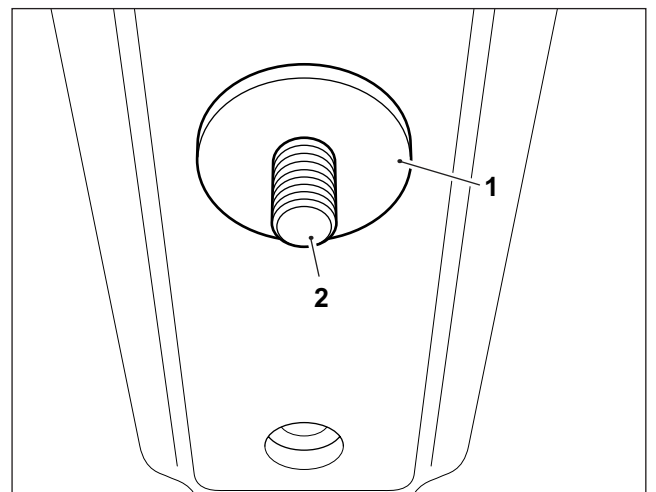
6 Position the side box (1) on the pannier rail (2) and adjust the orientation of the rubber mounts (3) to ensure the recess section of the mounts locate correctly on the pannier rail, as shown. Adjust the position of the mounting brackets (4) and mount grips (not shown) to align with the mounting holes (5) in the side box.



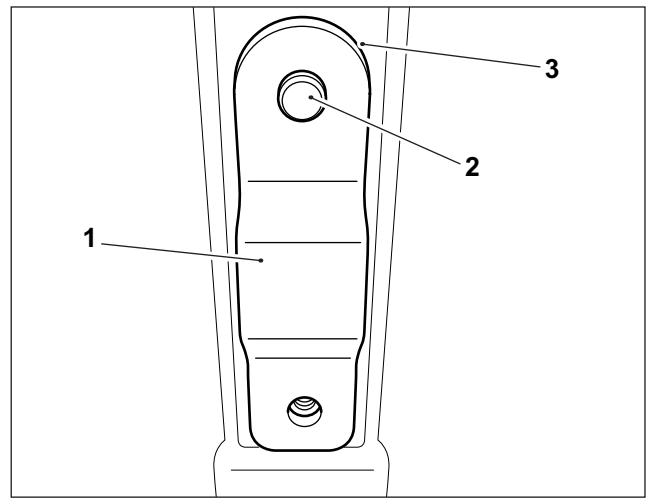
7 Without disturbing any of the aligned components carefully remove the side box from the pannier rail. Place the internal mounting bracket (1) inside the side box and align it with the mounting holes of the side box. Fit two M6 x 16mm fixings (2) from the kit through the top holes of the internal bracket.



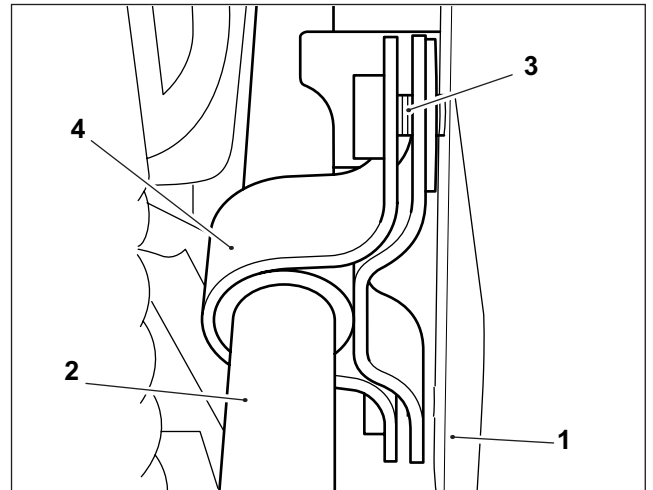
8 From the outside of the side box, fit flanged sleeves (1) from the kit over the fixings (2) in the orientation shown. Ensure the flanged sleeves locate correctly in the side box mounting holes.



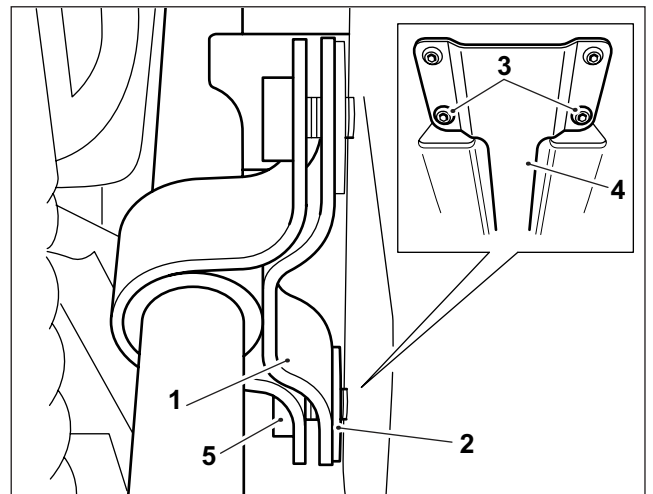
9 fit the inner mounting brackets (1) on to the fixings (2) against the flanged sleeves (3) in the orientation shown.



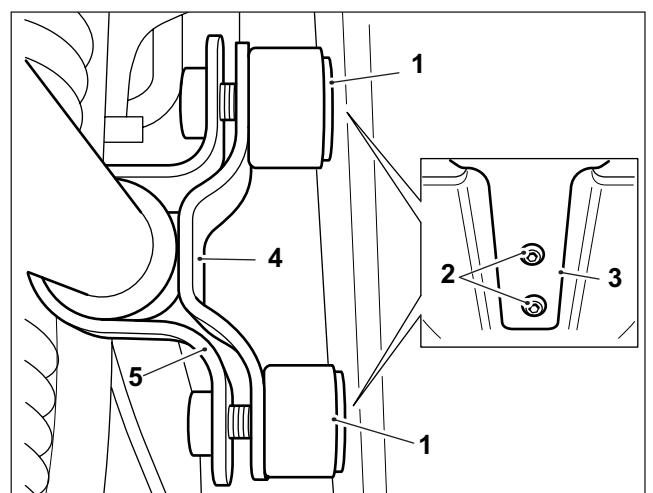
10 Position the side box (1) on the pannier rail (2) ensuring it is aligned correctly as described in step 6. Loosely tighten the fixings (3) into the outer brackets (4) at the upper mounting positions to hold the side box in position, do not fully tighten the fixings at this stage.



11 Rotate the inner brackets (1) and fit flanged sleeves (2) into the mounting holes in the side box in the orientation shown. Rotate the inner brackets over the flanged sleeves and fit two M6 x 16mm fixings (3) through the internal mounting bracket (4) flanged sleeves (2) and inner brackets (1). Loosely tighten the fixings into the outer mounting brackets (5), do not fully tighten the fixings at this stage.



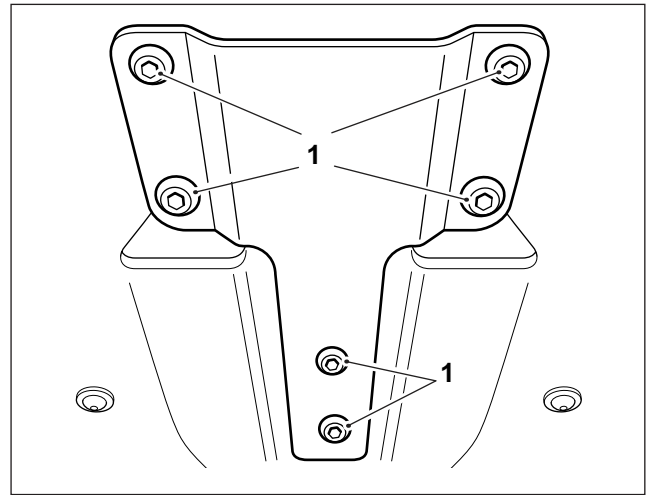
12 Fit the spacers (1) into the lower mounting holes in the side box. Fit the M6 x 30mm fixings (2) from the kit through the lower mounting holes of the internal mounting bracket (3) and spacers (1). Fit the remaining inner mounting bracket (4) onto the fixings in the orientation shown. Loosely tighten the fixings into the outer mounting bracket (5), do not fully tighten the fixings at this stage.



13 Check that the side box is aligned correctly on the pannier rail and tighten all fixings (1) to **8 Nm**.



4mm Allen socket with torque wrench



WARNING: Before riding a motorcycle fitted with accessory panniers always check that the panniers are securely attached to the pannier rails. Riding a motorcycle with insecure panniers fitted may cause the motorcycle to become unstable and result in an accident.

WARNING: Never overload the panniers, the maximum safe load for each pannier is 3 Kg (6.6 lbs). Incorrect loading of the panniers could cause the motorcycle to become unstable and result in an accident.

WARNING: The fitment of panniers to the motorcycle will affect the stability and handling of the motorcycle. Failure to observe the changes in motorcycle stability and handling characteristics could result in an accident.

WARNING: Maximum speed to be reduced to 95 KPH (59 MPH) while the side box is fitted.